

LEDj

Rapid QB1 HEX Battery Uplighter User Manual



Order codes:

LEDJ352 - Black Housing

LEDJ352A - White Housing

WARNING

FOR YOUR OWN SAFETY, PLEASE READ THIS USER MANUAL CAREFULLY BEFORE YOUR INITIAL START-UP!

- Before your initial start-up, please make sure that there is no damage caused during transportation.
- Should there be any damage, consult your dealer and do not use the equipment.
- To maintain the equipment in good working condition and to ensure safe operation, it is necessary for the user to follow the safety instructions and warning notes written in this manual.
- Please note that damages caused by user modifications to this equipment are not subject to warranty.



IMPORTANT:

The manufacturer will not accept liability for any resulting damages caused by the non-observance of this manual or any unauthorised modification to the equipment.

- Never let the power cable come into contact with other cables. Handle the power cable and all mains voltage connections with particular caution!
- Never remove warning or informative labels from the unit.
- Do not open the equipment and do not modify the unit.
- Do not connect this equipment to a dimmer pack.
- Do not switch the equipment on and off in short intervals, as this will reduce the system's life.
- Only use the equipment indoors.
- Do not expose to flammable sources, liquids or gases.
- Always disconnect the power from the mains when equipment is not in use or before cleaning! Only handle the power-cable by the plug. Never pull out the plug by pulling the power-cable.
- Make sure that the available mains supply voltage is between 100~240V AC, 50/60Hz.
- Please note: Battery fuse must be fitted before use.
- Make sure that the power cable is never crimped or damaged. Check the equipment and the power cable periodically.
- If the equipment is dropped or damaged, disconnect the mains power supply immediately and have a qualified engineer inspect the equipment before operating again.
- If the equipment has been exposed to drastic temperature fluctuation (e.g. after transportation), do not connect power or switch it on immediately. The arising condensation might damage the equipment. Leave the equipment switched off until it has reached room temperature.
- If your product fails to function correctly, stop use immediately. Pack the unit securely (preferably in the original packing material), and return it to your Pro Light dealer for service.
- Only use fuses of same type and rating.
- Repairs, servicing and power connection must only be carried out by a qualified technician. THIS UNIT CONTAINS NO USER SERVICEABLE PARTS.
- This lighting fixture is for professional use only - it is not designed for or suitable for household use. The product must be installed by a qualified technician in accordance with local territory regulations. The safety of the installation is the responsibility of the installer. The fixture presents risks of severe injury or death due to fire hazards, electric shock and falls.
- Warning! Risk Group 2 LED product according to EN 62471. Do not view the light output with optical instruments or any device that may concentrate the beam.
- WARRANTY: One year from date of purchase.
- Please note: Batteries are classed as consumable items which are covered for 90 days from date of purchase.

OPERATING DETERMINATIONS

If this equipment is operated in any other way, than those described in this manual, the product may suffer damage and the warranty becomes void. Incorrect operation may lead to danger e.g: short-circuit, burns and electric shocks etc.

Do not endanger your own safety and the safety of others!

Incorrect installation or use can cause serious damage to people and/or property.

Please note: These fixtures are intended for stage lighting and entertainment applications only, and are not intended for extended periods of use, including but not limited to house-light, industrial or architectural applications and should only be operated with short duty cycles.

Rapid QB1 HEX

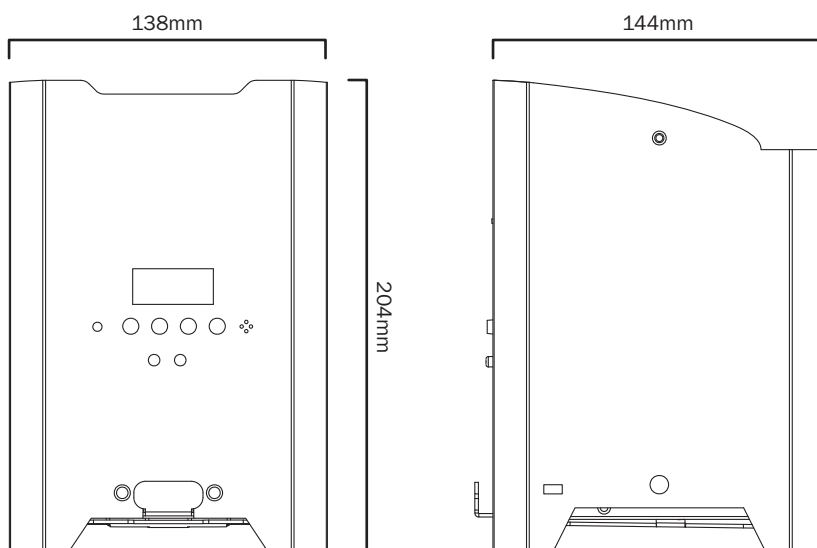
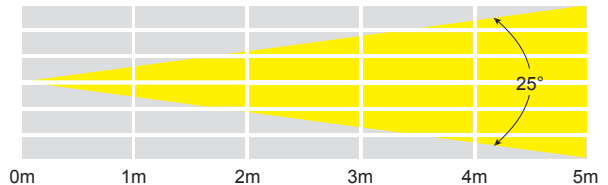
Rapid QB1 HEX is a portable battery powered uplighter outputting ultra-smooth colours from rich saturated hues to subtle pastel shades. The compact and robust housing design makes this fixture extremely portable and easily concealable. The internal lithium battery has an autonomy for up to 18 hours in single colour mode and up to 5.5 hours of colour fading and chases, while the charging time is only 5 hours.

The light source is composed of 4 x 12W high-power RGBWAUV LEDs and the extractable foot allows you to adjust the tilt angle. The on-board wireless transceiver makes for a truly cable free operation and is W-DMX compatible.

- 4 x 12W six-colour LEDs (RGBWAUV)
- Beam angle: 25° (field angle: 45°)
- 1,230 Lux @ 2m (full on)
- 1.2kHz refresh rate
- DMX channels: 6/8 or 12 selectable
- Wireless control (W-DMX Sweden compatible transceiver)
- Static colour, colour change, colour fade, auto, sound active and master/slave modes
- 0-100% dimming and variable strobe
- M10 rigging point for clamp
- Adjustable foot for angled floor standing applications (up to 25°)
- Safety bond/security chain point
- 4 push button menu with LED display
- Rechargeable battery for wireless applications
- Maximum run time: up to 18 hours (single colour), 5.5 hours (colour change/fade), 3 hours (full on)*
- Charging time: 5 hours (when unit powered off), 9 hours (when the unit is powered on)
- IEC power input/output
- 3-Pin XLR input/output
- Supplied with IR remote

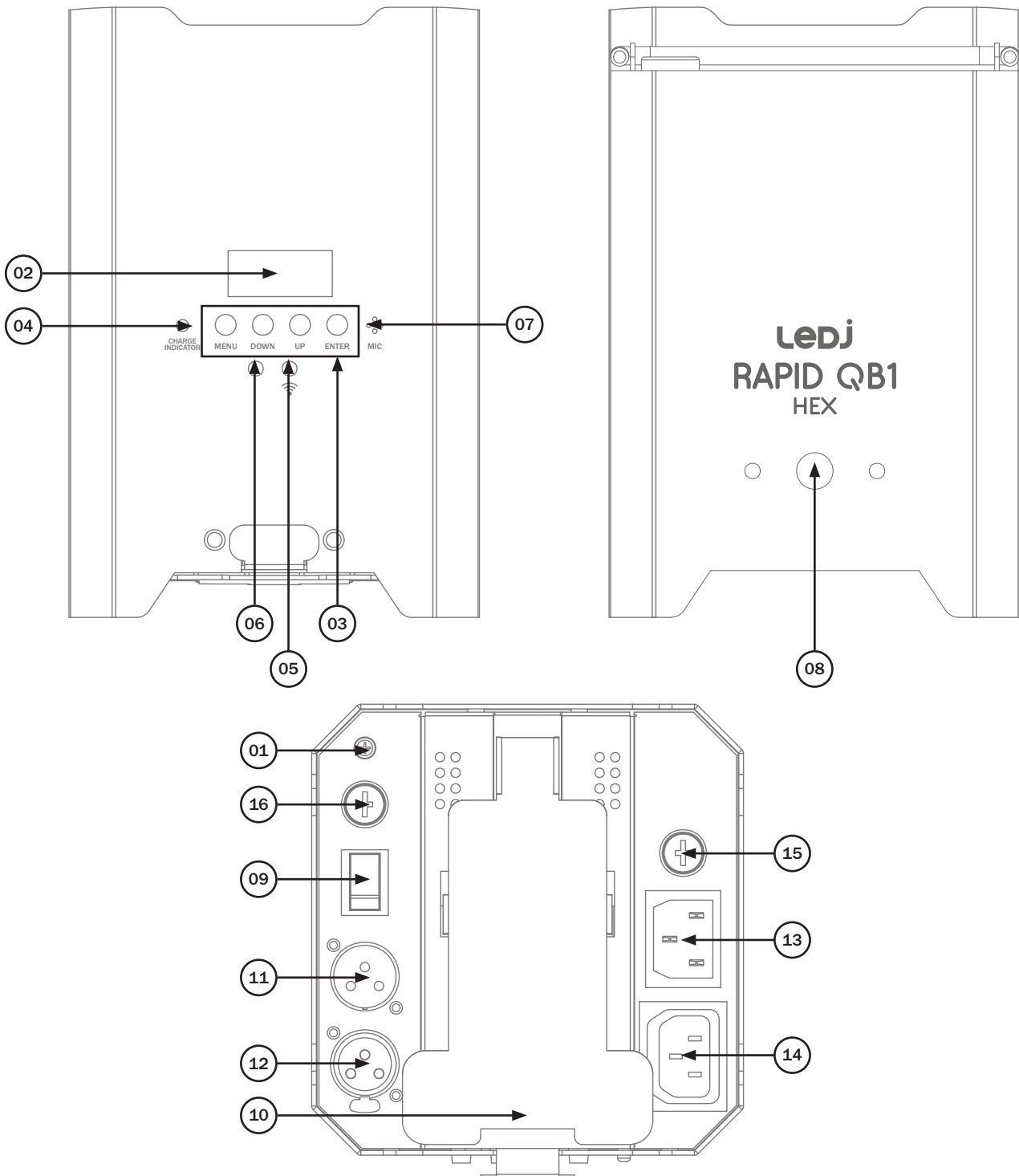


25° - Lux					
FULL ON	4920	1230	547	308	197
R	988	246.7	110	61.8	39.5
G	1680	419.8	187	105	67.2
B	389	97.3	43.2	24.3	15.6
W	2260	563.5	251	141	90.2
A	788	197.1	87.6	49.3	31.5
UV	N/A	N/A	N/A	N/A	N/A



Specifications	Rapid QB1 HEX
Power consumption	55W
Power supply	100~240V, 50/60Hz
Fuse	F3.15A 250V
Battery	14.8V 5200mAh
Battery fuse	F5A 250V
Dimensions	204 x 138 x 144mm
Weight	3kg
Order codes	LEDJ352 - Black Housing LEDJ352A - White Housing

*battery life subject to usage and the temperature where the fixture is situated.
Please note: Battery fuse must be fitted before use.



01 - Earth point

02 - LED display

03 - Function buttons

04 - Charge indicator

05 - Wireless DMX indicator

06 - IR receiver

07 - Microphone

08 - M10 rigging point

09 - On/off switch

10 - Adjustable foot

11 - 3-Pin DMX input

12 - 3-Pin DMX output

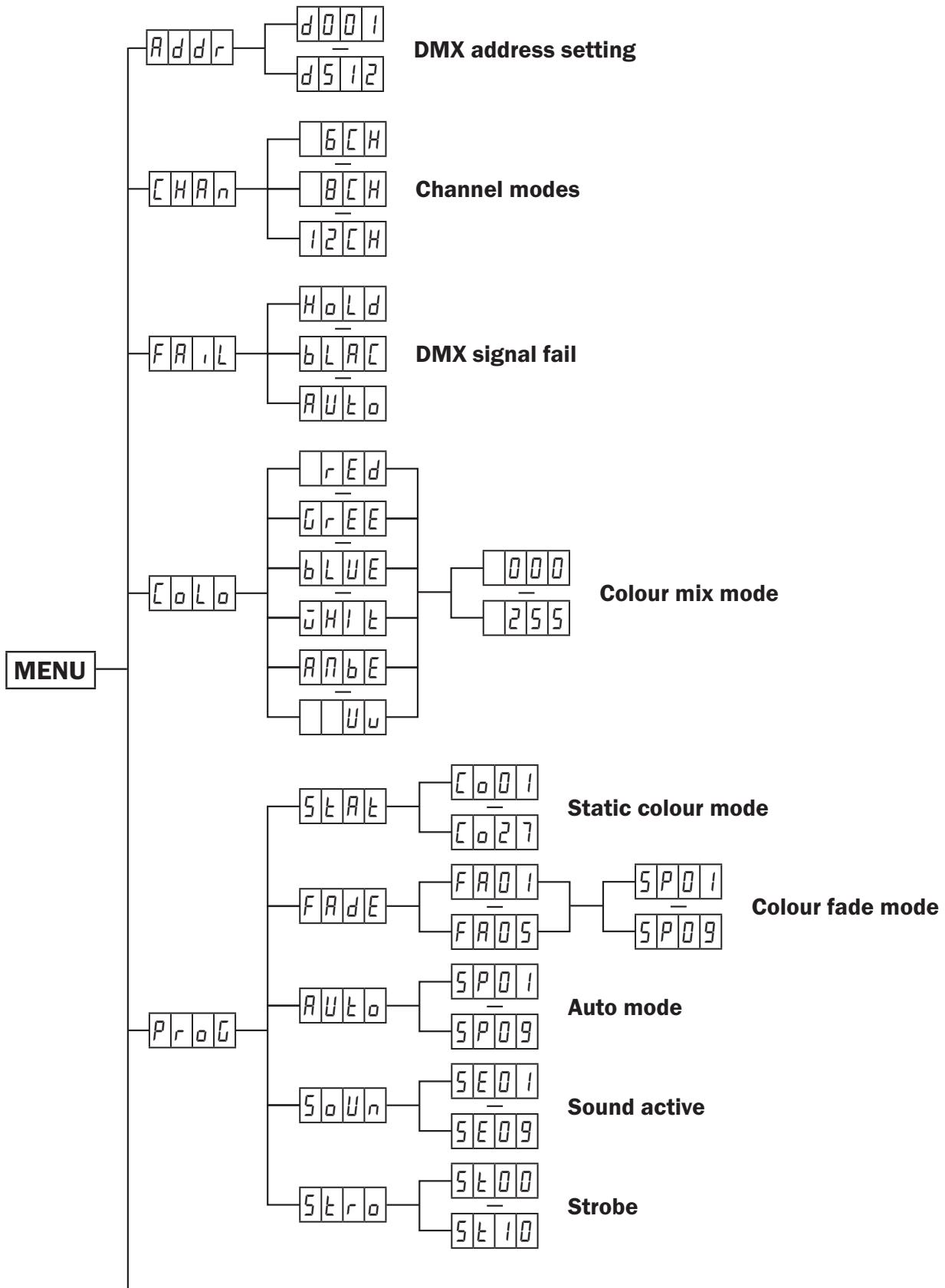
13 - IEC power input

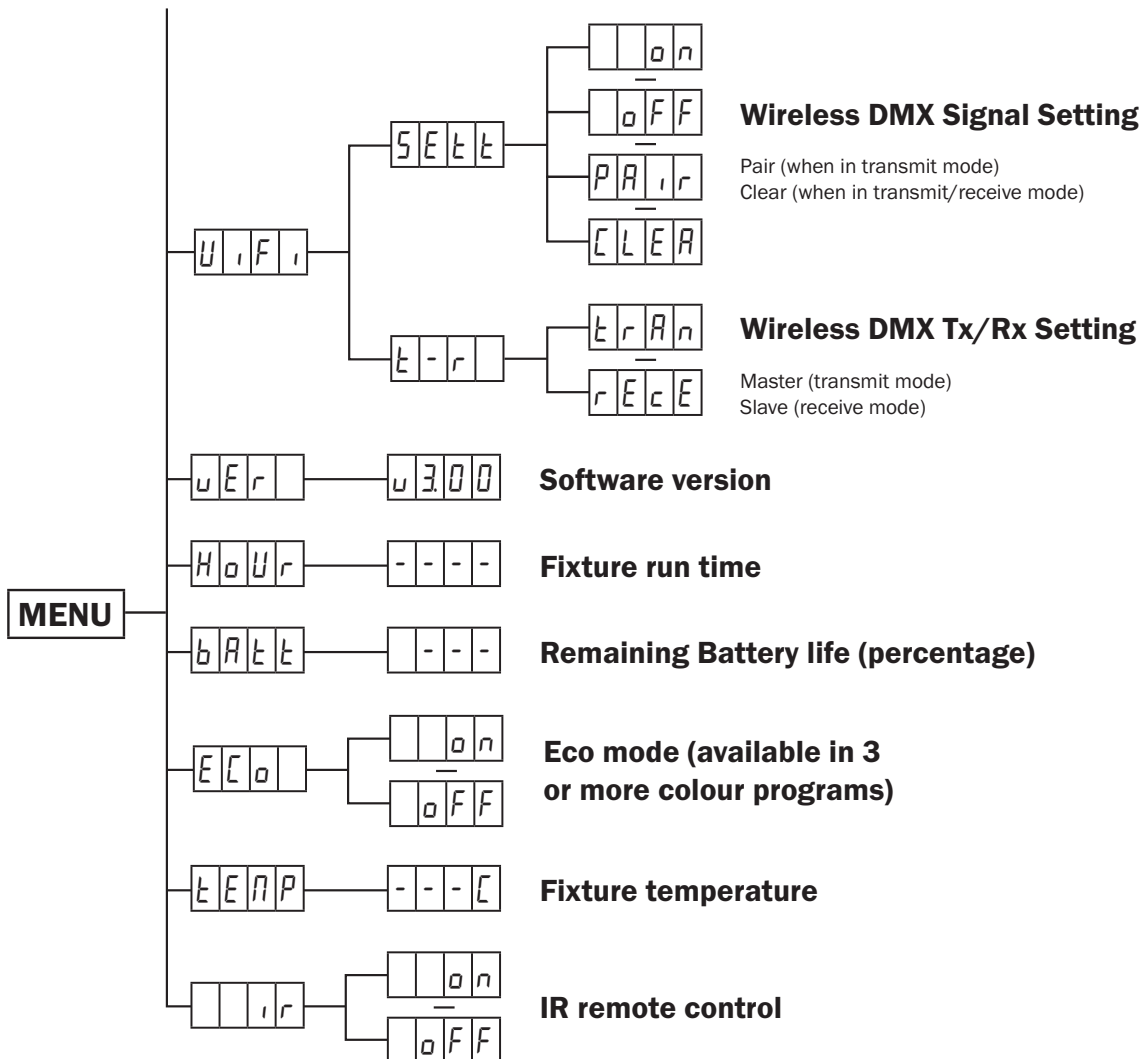
14 - IEC power output

15 - Fuse F3.15A 250V

16 - Battery fuse F5A 250V

In the box: **1 x fixture,**
1 x IR remote, 1 x fuse,
1 x power cable
& 1 x user manual





DMX mode:

Operating in a DMX control mode environment gives the user the greatest flexibility when it comes to customising or creating a show. In this mode you will be able to control each individual trait of the fixture and each fixture independently.

To access the DMX address mode, press the “MENU” button and use the “UP” and “DOWN” buttons on the front of the unit to show *d001* on the LED display. Now press the “ENTER” button and use the “UP” and “DOWN” buttons to set the required DMX address. Press the “ENTER” button to confirm the setting. To exit out of any of the above options, press the “MENU” button.

DMX channel mode:

To access the DMX channel mode, press the “MENU” button and use the “UP” and “DOWN” buttons on the front of the unit to show *CHAN* on the LED display. Now press the “ENTER” button and use the “UP” and “DOWN” buttons to choose one of the 6/8 or 12 DMX channel modes. Press the “ENTER” button to confirm the setting.

To exit out of any of the above options, press the “MENU” button.

6 channel mode:

Channel	Value	Function
1	000-255	Red dimmer (0-100%)
2	000-255	Green dimmer (0-100%)
3	000-255	Blue dimmer (0-100%)
4	000-255	White dimmer (0-100%)
5	000-255	Amber dimmer (0-100%)
6	000-255	UV dimmer (0-100%)

8 channel mode:

Channel	Value	Function
1	000-255	Red dimmer (0-100%)
2	000-255	Green dimmer (0-100%)
3	000-255	Blue dimmer (0-100%)
4	000-255	White dimmer (0-100%)
5	000-255	Amber dimmer (0-100%)
6	000-255	UV dimmer (0-100%)
7	000-255	Master dimmer (0-100%)
8	000-010	No function
	011-255	Strobe (slow-fast)

12 channel mode:

Channel	Value	Function
1	000-255	Red dimmer (0-100%)
2	000-255	Green dimmer (0-100%)
3	000-255	Blue dimmer (0-100%)
4	000-255	White dimmer (0-100%)
5	000-255	Amber dimmer (0-100%)
6	000-255	UV dimmer (0-100%)
7	000-255	Master dimmer (0-100%)
8	000-010	No function
	011-255	Strobe (slow-fast)
9	000-010	No function
	011-200	Colour macros
	201-255	White macros
10	000-017	No function
	018-034	3 colour fade (RGB)
	035-051	3 colour fade (CMY)
	052-068	4 colour fade (RGBW)
	069-085	4 colour fade (RGBA)
	086-102	5 colour fade (RGBWA)
	103-119	6 colour fade (RGBWAUV)
	120-136	9 colour fade (RGBWAUVCMY)
	137-153	3 colour change (RGB)
	154-170	3 colour change (CMY)
	171-187	4 colour change (RGBW)
	188-204	4 colour change (RGBA)
	205-221	5 colour change (RGBWA)
	222-238	6 colour change (RGBWAUV)
	239-255	9 colour change (RGBWAUVCMY)
11	000-255	Program speed (slow-fast)
12	000-255	Sound active

Wireless DMX operation:

To operate the fixture in wireless DMX you will need to connect the fixture to a W-DMX compatible wireless DMX Transmitter. Firstly clear the fixtures wireless DMX memory by following the instructions below. To pair the fixture and transmitter make sure the wireless DMX indicator is off.

To turn wireless DMX on, press the “MENU” button and use the “UP” and “DOWN” buttons to show $U F$ on the LED display. Now press the “ENTER” button and use the “UP” and “DOWN” buttons to select $SELE$. Press the “ENTER” button and use the “UP” and “DOWN” buttons to select ON . Press the “ENTER” button to confirm the setting.

To put the unit into Wireless DMX receive mode, press the “MENU” button and use the “UP” and “DOWN” buttons to show $U F$ on the LED display. Now press the “ENTER” button and use the “UP” and “DOWN” buttons to select LR . Press the “ENTER” button and use the “UP” and “DOWN” buttons to select $RECE$. Press the “ENTER” button to confirm the setting. Press the pair button on the WDMX G3/G4/G4S compatible transmitter. The wireless DMX indicator will start flashing fast. Once the pair is successful the indicator will turn solid yellow.

To turn wireless DMX off, press the “MENU” button and use the “UP” and “DOWN” buttons to show $U F$ on the LED display. Now press the “ENTER” button and use the “UP” and “DOWN” buttons to select $SELE$. Press the “ENTER” button and use the “UP” and “DOWN” buttons to select OFF . Press the “ENTER” button to confirm the setting.

To exit out of any of the above options, press the “MENU” button.

To link multiple Rapid QB1 via wireless master/slave see [Wireless master/slave operation](#).

Clear wireless DMX memory:

To clear the wireless DMX memory, press the “MENU” button and use the “UP” and “DOWN” buttons to show $U F$ on the LED display. Now press the “ENTER” button and use the “UP” and “DOWN” buttons to select $SELE$. Press the “ENTER” button and use the “UP” and “DOWN” buttons to select $CLEAR$. Press and hold the “ENTER” button for 5 seconds to erase the wireless DMX memory.

The Wireless DMX indicator will go off. To exit out of any of the above options, press the “MENU” button.

Please note: When the fixture is in Wireless DMX transmit mode the wireless DMX memory of the Transmitter unit and all receiving units will be cleared. When in Wireless DMX receive mode the wireless DMX memory of that one receiving unit will be cleared.

Wireless DMX indicator information:

When the Wireless DMX indicator LED is illuminated, the fixture is paired.

When the Wireless DMX indicator LED is flashing fast, the fixtures settings from the last pair are saved but the fixture isn't paired with the transmitter.

When the Wireless DMX indicator LED is flashing slow, the fixtures is paired with the transmitter but isn't receiving signal.

When the Wireless DMX indicator LED is off, the fixtures doesn't have any remembered wireless DMX settings and isn't paired with a transmitter.

DMX Signal Fail:

To access the DMX signal fail setting, press the “MENU” button and use the “UP” and “DOWN” buttons to show *FAIL* on the LED display. Now press the “ENTER” button and use the “UP” and “DOWN” buttons to choose between *Hold* (Hold), *BLAC* (Blackout) or *AUTO* (Auto mode).

Press the “ENTER” button to confirm the setting.

To exit out of any of the above options, press the “MENU” button.

Colour mix mode:

To access the colour mix mode, press the “MENU” button to show *COL* on the LED display.

Now press the “ENTER” button and use the “UP” and “DOWN” buttons to choose *Red*.

Press the “ENTER” button and use the “UP” and “DOWN” buttons to select the brightness of Red between *000 ~ 255*. Value: 000 - 255 (000 = low, 255 = high).

Now press the “ENTER” button and repeat for *GR* Green, *BL* Blue, *WH* White, *AN* Amber and *UV* UV. Press the “ENTER” button to confirm the setting.

To exit out of any of the above options, press the “MENU” button.

Built-in programs:

To access the built-in programs, press the “MENU” button to show *Prog* on the LED display.

Now press the “ENTER” button and use the “UP” and “DOWN” buttons to select one of the 5 built-in programs (static colour, colour fade, auto, sound or strobe).

St - Press the “ENTER” button and use the “UP” and “DOWN” buttons to select between *001 ~ 025*. Press the “ENTER” button to confirm the setting.

<i>001</i> - Red	<i>006</i> - UV	<i>011</i> - Orange	<i>016</i> - Light Blue
<i>002</i> - Green	<i>007</i> - Cyan	<i>012</i> - Lime Green	<i>017 ~ 027</i>
<i>003</i> - Blue	<i>008</i> - Magenta	<i>013</i> - Lavender	- White colour
<i>004</i> - White	<i>009</i> - Yellow	<i>014</i> - Yellow/Orange	temperature macros
<i>005</i> - Amber	<i>010</i> - Purple	<i>015</i> - Pink	

Fade - Press the “ENTER” button and use the “UP” and “DOWN” buttons to select the fade program between *FAD1 ~ FAD5*. Press the “ENTER” button and use the “UP” and “DOWN” buttons to select the fade speed between *SPD1 ~ SPD9*. Press the “ENTER” button to confirm the setting.

(01 = slow speed, 09 = fast speed).

AUTO - Press the “ENTER” button and use the “UP” and “DOWN” buttons to select the auto speed between *SPD1 ~ SPD9*. Press the “ENTER” button to confirm the setting.

(01 = slow speed, 09 = fast speed).

Sound - Press the “ENTER” button and use the “UP” and “DOWN” buttons to select the sound sensitivity between *SED1 ~ SED9*. Press the “ENTER” button to confirm the setting.

(01 = low sensitivity, 09 = high sensitivity).

Built-in programs (cont.):

Strobe - Press the “ENTER” button and use the “UP” and “DOWN” buttons to select the strobe speed between **5000 ~ 5010**. Press the “ENTER” button to confirm the setting.

(00 = strobe off, 09 = strobe fast).

Master/slave operation:

To set the master unit, press the “MENU” button and use the “UP” and “DOWN” buttons to show **U F** on the LED display. Now press the “ENTER” button and use the “UP” and “DOWN” buttons to select **Master**. Press the “ENTER” button and use the “UP” and “DOWN” buttons to select **Program**. Press the “ENTER” button to confirm the setting. Then select your desired program.

To set the other units in slave mode, press the “MENU” button and use the “UP” and “DOWN” buttons to show **U F** on the LED display. Now press the “ENTER” button and use the “UP” and “DOWN” buttons to select **Slave**. Press the “ENTER” button and use the “UP” and “DOWN” buttons to select **Sequence**.

Press the “ENTER” button to confirm the setting. The unit will now run in sequence with the master unit. To exit out of any of the above options, press the “MENU” button.

Please ensure that all slave units are set to the same DMX channel mode as the master unit.

Wireless master/slave operation:

Firstly clear the fixtures wireless DMX memory by following the instructions [Clear wireless DMX memory](#).

To set the units into master/slave follow the instructions above ([Master/slave operation](#)).

To pair the master unit with the slave(s), press the “MENU” button and use the “UP” and “DOWN” buttons to show **U F** on the LED display. Now press the “ENTER” button and use the “UP” and “DOWN” buttons to select **5000**. Press the “ENTER” button and use the “UP” and “DOWN” buttons to select **Pair**. Press the “ENTER” button to pair. The wireless DMX indicator will start flashing fast. Once the pair is successful the indicator will turn solid yellow.

Software version:

To display the software version, press the “MENU” button and use the “UP” and “DOWN” buttons on the front of the unit to show **U F** on the LED display. Press the “ENTER” button and the software version will be displayed. To exit out of any of the above options, press the “MENU” button.

Fixture hours:

To display the fixture hours, press the “MENU” button and use the “UP” and “DOWN” buttons on the front of the unit to show **Hour** on the LED display. Press the “ENTER” button and the fixture hours will be displayed. To exit out of any of the above options, press the “MENU” button.

Remaining battery life:

To display the batteries charge, press the “MENU” button and use the “UP” and “DOWN” buttons on the front of the unit to show **Batt** on the LED display. Press the “ENTER” button and the battery charge will be displayed between **000 ~ 100** (0-100%).

To exit out of any of the above options, press the “MENU” button.

Battery reference information:

When the battery charge indicator LED is illuminated red, the fixture is recharging.

When the battery charge indicator LED is illuminated yellow, the fixture has less than 30% charge.

When the battery charge indicator LED is illuminated green, the battery is charged.

The recharging time for the battery is 5 hours when the unit is powered off and 9 hours when the unit is powered on.

The battery usage time from fully charged is dependant on the mode and brightness of the fixture.

For more information please see the features on page 3.

Eco mode:

To set the fixture into eco mode, press the “MENU” button and use the “UP” and “DOWN” buttons on the front of the unit to show $E \square$ on the LED display. Now press the “ENTER” button and use the “UP” and “DOWN” buttons to choose between on or FF . Press the “ENTER” button to confirm the setting. To exit out of any of the above options, press the “MENU” button.

Please note: Eco mode allows the fixture to run longer from a single charge when used in a 3 or more colour program with a slight reduction in intensity.

Fixture temperature:

To display the fixture temperature, press the “MENU” button and use the “UP” and “DOWN” buttons on the front of the unit to show $TEMP$ on the LED display. Press the “ENTER” button and the fixture temperature will be displayed. To exit out of any of the above options, press the “MENU” button.

IR remote:

To turn the IR remote function on/off, press the “MENU” button to show IR on the LED display. Now press the “ENTER” button and use the “UP” and “DOWN” buttons to choose between on or FF . Press the “ENTER” button to confirm the setting.

To exit out of any of the above options, press the “MENU” button.

Please note: The fixture must be set to Master for the IR function to work.

Reset factory settings:

To reset the units factory settings, press the “MENU” and “ENTER” buttons together, the unit will show RA on the LED display. The unit will now reset to the factory default settings.

IR remote functions:

01 - Sets the unit into blackout off/on (LED on/off)

02 - Sets the static colour (see chart key for colours)

A - Red	D - White	G - Orange
B - Green	E - Amber	H - Cyan
C - Blue	F - UV	I - Pink

03 - Runs the auto mode, use the '▲' and '▼' buttons to adjust the auto speed

04 - Runs the sound program, use the '▲' and '▼' buttons to adjust the sound sensitivity

05 - Runs the strobe program, use the '▲' and '▼' buttons to adjust the strobe speed

06 - Sets the auto/fade speed. Press this button followed by the '▲' and '▼' buttons to adjust the program speed

07 - Sets the unit in either master or slave mode

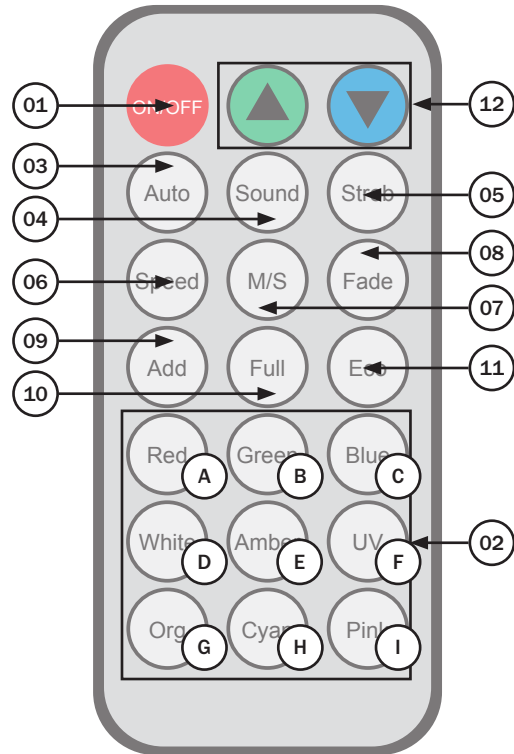
08 - Runs the fade mode, use the 'Speed' button followed by the '▲' and '▼' buttons to adjust the fade speed

09 - Sets the DMX address. Press this button followed by the '▲' and '▼' buttons to adjust the DMX address. Press this button again followed by the '▲' and '▼' buttons to adjust the DMX channel

10 - Sets the unit in full on. Press this button followed by the '▲' and '▼' buttons to adjust brightness (000-255)

11 - Sets the unit in Eco mode. Press this button followed by the '▲' and '▼' buttons to turn eco mode on/off

12 - Adjusts the auto, fade and strobe speed, sound sensitivity, DMX address/channel, full on brightness and turns the eco mode on/off.



Setting the DMX address:

The DMX mode enables the use of a universal DMX controller. Each fixture requires a “start address” from 1- 511. A fixture requiring one or more channels for control begins to read the data on the channel indicated by the start address. For example, a fixture that occupies or uses 7 channels of DMX and was addressed to start on DMX channel 100, would read data from channels: 100,101,102,103,104,105 and 106. Choose a start address so that the channels used do not overlap. E.g. the next unit in the chain starts at 107.

DMX 512:

DMX (Digital Multiplex) is a universal protocol used as a form of communication between intelligent fixtures and controllers. A DMX controller sends DMX data instructions from the controller to the fixture. DMX data is sent as serial data that travels from fixture to fixture via the DATA “IN” and DATA “OUT” XLR terminals located on all DMX fixtures (most controllers only have a data “out” terminal).

DMX linking:

DMX is a language allowing all makes and models of different manufactures to be linked together and operate from a single controller, as long as all fixtures and the controller are DMX compliant. To ensure proper DMX data transmission, when using several DMX fixtures try to use the shortest cable path possible. The order in which fixtures are connected in a DMX line does not influence the DMX addressing. For example; a fixture assigned to a DMX address of 1 may be placed anywhere in a DMX line, at the beginning, at the end, or anywhere in the middle. When a fixture is assigned a DMX address of 1, the DMX controller knows to send DATA assigned to address 1 to that unit, no matter where it is located in the DMX chain.

DATA cable (DMX cable) requirements (for DMX operation):

This fixture can be controlled via DMX-512 protocol. The DMX address is set on the back of the unit. Your unit and your DMX controller require a standard 3-pin XLR connector for data input/output, see image below.



Further DMX cables can be purchased from all good sound and lighting suppliers or Pro Light Concepts dealers.

Please quote:

CABL10 – 2m

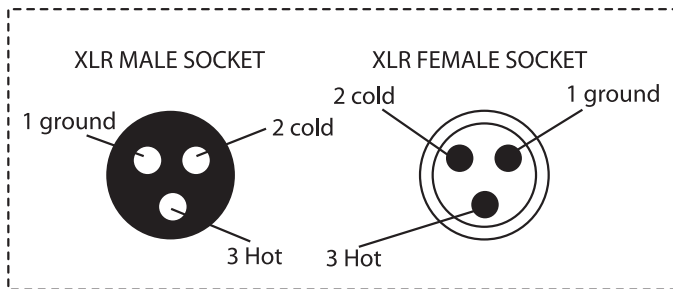
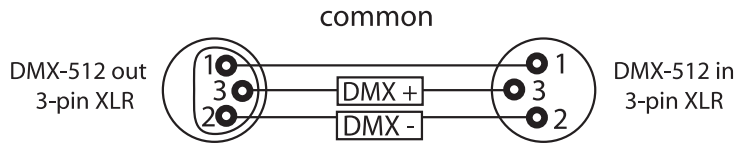
CABL11 – 5m

CABL12 – 10m

Note: DMX cable must be daisy chained and cannot be split.

Notice:

Be sure to follow the diagrams below when making your own cables. Do not connect the cables shield conductor to the ground lug or allow the shield conductor to come in contact with the XLRs outer casing. Grounding the shield could cause a short circuit and erratic behaviour.



XLR Pin Configuration
Pin 1 = Ground
Pin 2 = Negative
Pin 3 = Postive

Special note:

Line termination:

When longer runs of cable are used, you may need to use a terminator on the last unit to avoid erratic behaviour.

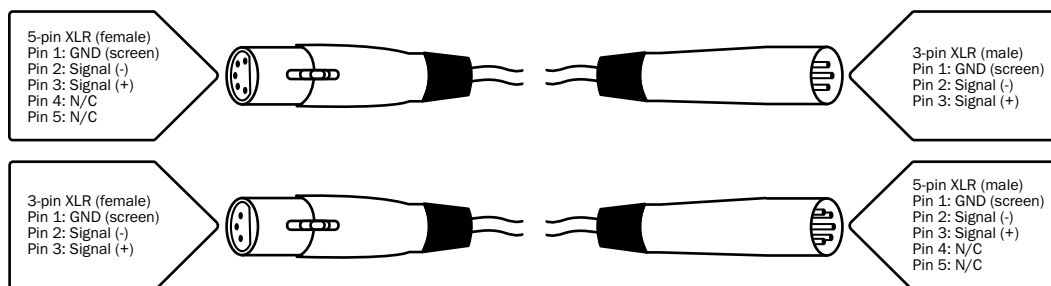
Using a cable terminator will decrease the possibilities of erratic behaviour.

(3-pin - Order ref: CABL90, 5-pin - Order ref: CABL89)

Termination reduces signal transmission problems and interference. It is always advisable to connect a DMX terminal, (resistance 120 Ohm 1/4 W) between pin 2 (DMX-) and pin 3 (DMX+) of the last fixture.

5-pin XLR DMX connectors:

Some manufactures use 5-pin XLR connectors for data transmission in place of 3-pin. 5-pin XLR fixtures may be implemented in a 3-pin XLR DMX line. When inserting standard 5-pin XLR connectors in to a 3-pin line a cable adaptor must be used. The diagram below details the correct cable conversion.





***Correct Disposal of this Product
(Waste Electrical & Electronic Equipment)***

**(Applicable in the European Union and other European countries
with separate collection systems)**

This marking shown on the product or its literature, indicates that it should not be disposed with other household wastes at the end of its working life. To prevent possible harm to the environment or human health from uncontrolled waste disposal, please separate this from other types of wastes and recycle it responsibly to promote the sustainable reuse of material resources.

Household users should contact either the retailer where they purchased this product, or their local government office, for details of where and how they can take this item for environmentally safe recycling.

Business users should contact their supplier and check the terms and conditions of the purchase contract. This product should not be mixed with other commercial wastes for disposal.

