

**OWNER MANUAL  
MANUALE D'USO**

**HDL20-A  
HDL10-A**

ACTIVE LINE  
ARRAY MODULES



# LANGUAGE



**ENGLISH** 3

**ITALIANO** 23



1. All the precautions, in particular the safety ones, must be read with special attention, as they provide important information.

**WARNING:** to prevent the risk of fire or electric shock, never expose this product to rain or humidity.

## 2. POWER SUPPLY FROM MAINS

- a. The mains voltage is sufficiently high to involve a risk of electrocution; install and connect this product before plugging it in.
- b. Before powering up, make sure that all the connections have been made correctly and the voltage of your mains corresponds to the voltage shown on the rating plate on the unit, if not, please contact your RCF dealer.
- c. This unit is CLASS I construction, so it must be connected to a MAIN socket outlet with a protective earthing connection.
- d. Appliance coupler or PowerCon Connector® is used to disconnect device from MAIN power. This device shall remain readily accessible after the installation
- e. Protect the power cable from damage; make sure it is positioned in a way that it cannot be stepped on or crushed by objects.
- f. To prevent the risk of electric shock, never open this product: there are no parts inside that the user needs to access.

3. Make sure that no objects or liquids can get into this product, as this may cause a short circuit.

This apparatus shall not be exposed to dripping or splashing. No objects filled with liquid, such as vases, shall be placed on this apparatus. No naked sources (such as lighted candles) should be placed on this apparatus.

4. Never attempt to carry out any operations, modifications or repairs that are not expressly described in this manual.

Contact your authorized service centre or qualified personnel should any of the following occur:

- **The product does not function (or functions in an anomalous way).**
- **The power cable has been damaged.**
- **Objects or liquids have got in the unit.**
- **The product has been subject to a heavy impact.**

5. If this product is not used for a long period, disconnect the power cable.

6. If this product begins emitting any strange odours or smoke, switch it off immediately and disconnect the power cable.

7. Do not connect this product to any equipment or accessories not foreseen.

For suspended installation, only use the dedicated anchoring points and do not try to hang this product by using elements that are unsuitable or not specific for this purpose. Also check the suitability of the support surface to which the product is anchored (wall, ceiling, structure, etc.), and the components used for attachment (screw anchors, screws, brackets not supplied by RCF etc.), which must guarantee the security of the system / installation over time, also considering, for example, the mechanical vibrations normally generated by transducers.

To prevent the risk of falling equipment, do not stack multiple units of this product unless this possibility is specified in the user manual.

**8. RCF S.p.A. strongly recommends this product is only installed by professional qualified installers (or specialised firms) who can ensure correct installation and certify it according to the regulations in force.**

**The entire audio system must comply with the current standards and regulations regarding electrical systems.**

## WARNING



## IMPORTANT



**9. Supports and trolleys**

The equipment should be only used on trolleys or supports, where necessary, that are recommended by the manufacturer. The equipment / support / trolley assembly must be moved with extreme caution. Sudden stops, excessive pushing force and uneven floors may cause the assembly to overturn.

**10.** There are numerous mechanical and electrical factors to be considered when installing a professional audio system (in addition to those which are strictly acoustic, such as sound pressure, angles of coverage, frequency response, etc.).

**11. Hearing loss**

Exposure to high sound levels can cause permanent hearing loss. The acoustic pressure level that leads to hearing loss is different from person to person and depends on the duration of exposure. To prevent potentially dangerous exposure to high levels of acoustic pressure, anyone who is exposed to these levels should use adequate protection devices. When a transducer capable of producing high sound levels is being used, it is therefore necessary to wear ear plugs or protective earphones. See the manual technical specifications to know the maximum sound pressure level.

**IMPORTANT NOTES**

To prevent the occurrence of noise on line signal cables, use screened cables only and avoid putting them close to:

- **Equipment that produces high-intensity electromagnetic fields.**
- **Power cables.**
- **Loudspeaker lines.**

**The equipments considered in this manual can be used in electromagnetic environment E1 to E3 as specified on EN 55103-1/2: 2009.**

**IMPORTANT NOTES****OPERATING PRECAUTIONS**

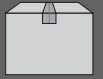
- **Place this product far from any heat sources and always ensure an adequate air circulation around it.**
- **Do not overload this product for a long time.**
- **Never force the control elements (keys, knobs, etc.).**
- **Do not use solvents, alcohol, benzene or other volatile substances for cleaning the external parts of this product.**

**IMPORTANT NOTES**

Before connecting and using this product, please read this instruction manual carefully and keep it on hand for future reference. The manual is to be considered an integral part of this product and must accompany it when it changes ownership as a reference for correct installation and use as well as for the safety precautions. RCF S.p.A. will not assume any responsibility for the incorrect installation and / or use of this product.

**CAUTION:** to prevent electric shock hazard, do not connect to mains power supply while grille is removed

**IMPORTANT NOTES****CAUTION**



The concept of this unique speaker derives from the touring industry, bringing in a compact cabinet all the experience of RCF professional sound.

The vocals are natural, the sound is clear at longer distances, the spl power is stable at very high levels.

The RCF Precision transducers equipping D LINE have been representing for decades the ultimate performance, the highest power handling and the most advanced technology in the professional and touring industry.

The high power woofer delivers extremely accurate punchy bass, the custom made compression driver offers a transparent midrange and extreme fidelity.

RCF Class-D power amplifiers technology packs huge performance operating with high efficiency into a lightweight solution. D LINE amplifiers deliver ultra fast attack, realistic transient response and impressive audio performance.

The integrated DSP manages crossover, equalisation, soft limiter, compressor and dynamic bass boost.

D LINE cabinets are moulded on a special polypropylene composite material designed to dampen down vibrations even at maximum volume settings.

From moulding to the final texture, D LINE offers the maximum reliability and strength for the intensive use on the road.

The HDL20-A and HDL10-A are very compact, self-powered, 2-way line array loudspeaker modules. The 700-watt Class-D amp modules accurately match the high quality digital signal input boards with precise, complex filter responses that result in the natural, detailed reproduction of the best direct radiating designs. They are the ideal choice when line-array performance is needed but the venue size doesn't call for the very long-throw characteristics of larger line-arrays and a fast and easy setup is a must. The speakers deliver extraordinary power handling, clarity, flexibility and great sound in a compact, easy to handle and affordable package.

**THE INPUT SECTION PROVIDES:**

- Out XLR connectors;
- IN XLR Jack combo
- system volume control;
- 5 configuration switch;
- 4 status LEDs.

**HDL20-A IS A 2-WAY ACTIVE SYSTEM FEATURING:**

- 10" neo woofer, 2,5" voice coil in horn loaded configuration;
- 2" exit, 3" voice coil neo compression driver;
- 100° x 15°, constant directivity coverage angle.

**HDL10-A IS A 2-WAY ACTIVE SYSTEM FEATURING:**

- 8" neo woofer, 2,0" voice coil in horn loaded configuration;
- 2" exit, 2,5" voice coil neo compression driver;
- 100° x 15°, constant directivity coverage angle.

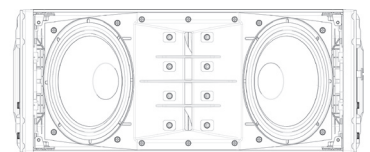
**THE AMPLIFIER SECTION FEATURES:**

- 700 Watt switching power supply module;
- 500 Watt low frequency digital amplifier module;
- 200 Watt high frequency digital amplifier module;
- extra capacitor bus able to sustain the voltage for 100 ms burst signals.

The total available power supply power is 700 Watt and can be distributed to the 2 final amplifier sections. Each amplifier section has a very high maximum output power capability in order to provide, when necessary, maximum output bursts in a specific frequency range.

**D LINE  
TOURING AUDIO SOLUTIONS**

**HDL20-A, HDL10-A  
ACTIVE LINE ARRAY MODULES**



## POWER REQUIREMENTS AND SET-UP

The HDL line arrays Systems are designed to operate in hostile and demanding situations. Nevertheless it is important to take extremely care of the AC power supply and set up a proper power distribution.

The HDL line arrays Systems are designed to be GROUNDED. Always use a grounded connection.

The HDL amplifiers are designed to work within the following AC Voltage limits:

230 V NOMINAL VOLTAGE: minimum voltage 185 V, maximum voltage 260 V

115 V NOMINAL VOLTAGE: minimum voltage 95 V, maximum voltage 132 V.

If the voltage goes below the minimum admitted voltage the system stops working. If the voltage goes higher than the maximum admitted voltage the system can be seriously damaged. To obtain the best performances from the system it is very important that the voltage drop it is as low as possible.

Make sure that all the system is properly grounded. All the grounding points shall be connected to the same ground node. This will improve reducing hums in the audio system.

The module is provided with a Powercon outlet to daisy chain other modules. The maximum number of modules that is possible to daisy chain is:

16 (SIXTEEN) OR 4 HDL 18-AS + 8 HDL 20-A MAXIMUM OR 8 HDL18-A.

**230 Volt NOMINAL VOLTAGE: minimum voltage 185 Volt, maximum voltage 264 Volt (for UK 240V+10%)**

**115 Volt NOMINAL VOLTAGE: minimum voltage 95 Volt, maximum voltage 132 Volt.**

A superior number of modules in daisy chain will exceed the Powercon connector maximum ratings and create a potentially dangerous situation.

When the HDL line arrays systems are powered from a three phase power distribution it is very important to keep a good balance in the load of each phase of the AC power. It is very important to include subwoofers and satellites in power distribution calculation: both subwoofers and satellites shall be distributed between the three phases.

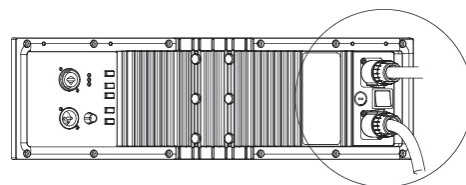
### WARNING



### VOLTAGE

### GROUNDING

### AC CABLES DAISY CHAINS



### WARNING



### POWERING FROM THREE PHASE



- 1** MAIN XLR INPUT (BAL/UNBAL). The system accept male XLR/Jack input connectors with line level signals from a mixing console or other signal source.
- 2** LINK XLR OUTPUT. The output XLR male connector provides a loop trough for speakers daisy chaining.
- 3** VOLUME. Controls the volume of the power amplifier. The control ranges from - (maximum attenuation) to the MAX level  $\infty$  (maximum output).
- 4** POWER INDICATOR. Power on indicator. When the power cord is connected and the power switch is turned on this indicator lights green.
- 5** SIGNAL INDICATOR. The signal indicator lights green if there is signal present on the main XLR input.
- 6** LIMITER INDICATOR. The amplifier has a built in limiter circuit to prevent clipping of the amplifiers or overdriving the transducers. When the peak clipping circuit is active the LED blinks orange. It is okay if the limit LED blinks occasionally. If the LED blinks frequently or lights continuously, turn down the signal level. The amplifier has a built in RMS limiter. If the RMS limiter is active the LED lights red. The RMS limiter has the purpose to prevent damages the transducers. The speaker shall never be used with the limit indicator red, continuous operation with the RMS protection active can cause damages to the speaker.
- 7** HF. The switch gives the possibility to set high frequencies correction depending on target distance (air absorption correction):
  - NEAR (used for pole mount applications or near field)
  - FAR (for farthest field).
- 8** CLUSTER. The combination of the 2 switches gives 4 possibilities of mid low frequencies correction depending on cluster size.
  - 2-3 modules (used for pole mount applications ground stacking)
  - 4-6 modules (small flown systems)
  - 7-9 modules (medium flown systems)
  - 10-16 modules (maximum flown configuration).
- 9** HIGH CURVING. The switch gives the extra possibility to boost mid frequencies depending on a high curving cluster configuration of few pieces.
  - OFF (not active correction)
  - ON (for high curving arrays of few pieces HDL20-A or HDL10-A).
- 10** INDOOR. The switch gives the extra possibility to set low frequencies correction depending on a indoor/outdoor use, in order to compensate room reverberation on lows.
  - OFF (not active correction)
  - ON (correction for reverberant indoor rooms).

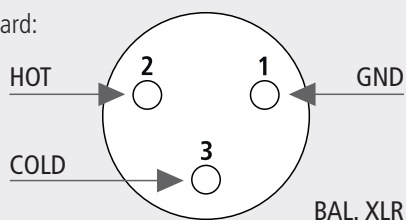
- 11** AC POWERCON RECEPTACLE. RCF D LINE uses a POWERCON locking 3-pole AC mains. Always use the specific power cord provided in the package.
- 12** AC POWERCON LINK RECEPTACLE. Use this receptacle to link one or more units. Always make sure that the maximum current requirement does not exceed the maximum admitted POWERCON current. In case of doubt call the closest RCF SERVICE CENTRE.
- 13** POWER MAIN SWITCH. The power switch turns the AC power ON and OFF. Make sure that the VOLUME is set to - when you turn on the speaker.
- 14** FUSE.

The XLR connectors use the following AES standard:

PIN 1 = GROUND (SHIELD)

PIN 2 = HOT (+)

PIN 3 = COLD (-)



At this point you can connect the power supply cable and the signal cable, but before turning on the speaker make sure that the volume control is at the minimum level (even on the mixer output). It is important that the mixer is already ON before turning on the speaker. This will avoid damage to the speakers and noisy "bumps" due to turning on parts on the audio chain. It is a good practice to always turn on speakers at last and turn them off immediately after the show.

Now you can turn ON the speaker and adjust the volume control to a proper level.

**WARNING:** Always make sure that the maximum current requirement does not exceed the maximum admitted POWERCON current. In case of doubt call the closest RCF SERVICE CENTRE.

**230 Volt, 50 Hz SETUP:** FUSE VALUE T3, 15A - 250V

**115 Volt, 60 Hz SETUP:** FUSE VALUE T6, 30A - 250V

Audio signal can be daisy-chained using the male XLR loop through connectors. A single audio source can drive multiple speakers modules (like a full left or right channel made of 8-16 speaker modules); make sure that the source device is able to drive the impedance load made of the modules input circuits in parallel. The HDL line arrays input circuit presents a 100 KOhm input impedance. The total input impedance seen as a load from the audio source (ex. audio mixer) will be:

- system input impedance = 100 KOhm / number of input circuits in parallel.

The required output impedance of the audio source (ex. audio mixer) will be:

- source output impedance > 10 \* system input impedance;
- always make sure that XLR cables used to feed audio signal to the system are:
  - balanced audio cables;
  - wired in phase.

A single defective cable can affect the performance of the overall system!

## CONNECTIONS

### BEFORE TURNING ON THE SPEAKER

### WARNING



### VOLTAGE SETUP

(RESERVED TO THE RCF SERVICE CENTRE)

### SIGNAL CABLES DAISY CHAINS



The HDL is a flexible system that can be used in ground-supported or suspended applications. The following information will help you set up your HDL system safely and effectively.

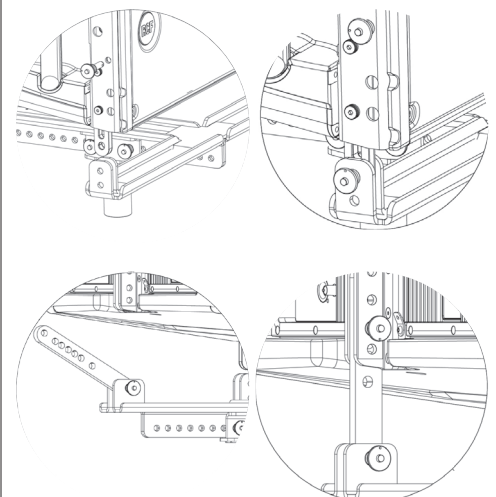
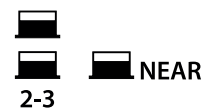
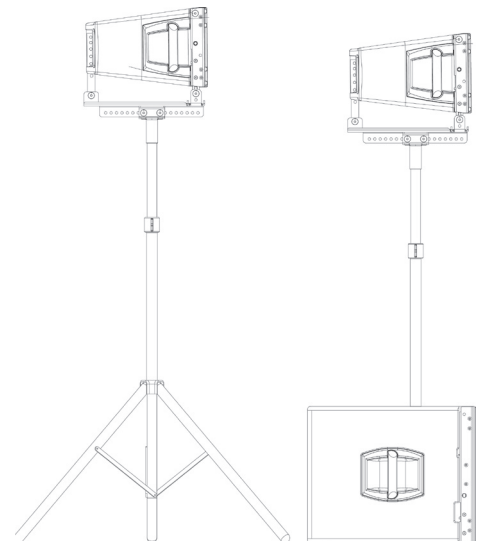
When using stands or poles, be sure to observe the following precautions:

- Check the stand or pole specification to be certain the device is designed to support the weight of the speaker. Observe all safety precautions specified by the manufacturer.
- Be certain that the surface on which the system is to be stacked is flat, stable and solid.
- Inspect the stand (or pole and associated hardware) before each use and do not use equipment with worn, damaged, or missing parts.
- Do not attempt to place more than two HDL loudspeakers on a stand or pole.
- When mounting two HDL speakers on a pole or tripod, integral rigging hardware must be used to secure the speakers to each other.
- Always be cautious when deploying the system outdoors. Unexpected winds may topple a system. Avoid attaching banners or similar items to any part of a speaker system. Such attachments could act as a sail and topple the system.

A single HDL may be used on a tripod stand (AC S260) or on a pole (AC PMA) over its D LINE Series subwoofers. The use of a subwoofer is recommended for applications requiring more low-frequency power and extension and needs a pole (P.N. 13360110).

Usually, the cluster switch on the input panel should be set to the 2-3 position and the HF on NEAR when a single speaker is used. Indoor switch use depends on the speaker placement. Place the speaker on the pole or on a tripod using its own hardware LIGHT BAR HDL20-A (P.N. 13360229) or LIGHT BAR HDL10-A (P.N. 13360276) as shown in the following picture.

## POLE AND TRIPOD SAFETY WARNINGS



## HDL20-A, HDL10-A SUSPENDED

- Suspending loads should be done with extreme caution.
- When deploying a system always wear protective helmets and footwear.
- Never allow people to pass under the system during the installation process.
- Never leave the system unattended during the installation process.
- Never install the system over areas of public access.
- Never attach other loads to the array system.
- Never climb the system during or after the installation.
- Never expose the system to extra loads created from the wind or snow.

**WARNING:** The system must be rigged in accordance with the laws and regulations of the Country where the system is used. It is responsibility of the owner or rigger to make sure that the system is properly rigged in accordance with Country and local laws and regulations.

**WARNING:** Always check that all the parts of the rigging system that are not provided from RCF are:

- appropriate for the application;
- approved, certified and marked;
- properly rated;
- in perfect condition.

**WARNING:** Each cabinet support the full load of the part of the system below. It is very important that each single cabinet of the system is properly checked.

The suspension system is designed to have a proper Safety Factors (configuration dependent). Using the "RCF Shape Designer" software it is very easy to understand safety factors and limits for each specific configuration. To better comprehend in which safety range the mechanics are working a simple introduction is needed: HDL mechanics are built with certified UNI EN 10025-95 S 235 JR and S 355 JR Steel.

S 235 JR is a structural steel and has a stress-strain (or equivalent Force-Deformation) curve like the following.

The curve is characterized by two critical points: the Break Point and the Yield Point. The tensile ultimate stress is simply the maximum stress attained. Ultimate tensile stress is commonly used as a criterion of the strength of the material for structural design, but it should be recognized that other strength properties may often be more important. One of these is for sure the Yield Strength. Stress-strain diagram of S 235 JR exhibit a sharp break at a stress below the ultimate strength. At this critical stress, the material elongates considerably with no apparent change in stress. The stress at which this occurs is referred to as the yield point.

Permanent deformation may be detrimental, and the industry adopted 0.2% plastic strain as an arbitrary limit that is considered acceptable by all regulatory agencies. For tension and compression, the corresponding stress at this offset strain is defined as the yield.

S 355 J and S 235 JR characteristic values are  $R=360$  [N/mm<sup>2</sup>] and  $R=510$  [N/mm<sup>2</sup>] for Ultimate Strength and  $Rp0.2=235$  [N/mm<sup>2</sup>] and  $Rp0.2=355$  [N/mm<sup>2</sup>] for Yield Strength. In our prediction software the Safety Factors are calculated considering the Maximum Stress Limit equal to the Yield Strength, according with many international standards and rules. The resulting Safety Factor is the minimum of all the calculated safety factors, for each link or pin. This is where you are working with a SF=4:

Depending on local safety regulation and on situation the required safety factor can vary. It is responsibility of the owner or rigger to make sure that the system is properly rigged in accordance with Country and local laws and regulations. The "RCF Shape Designer" software gives detailed information of the safety factor for each specific configuration.

The safety factor is the result of the forces acting on fly bar's and system's front and rear links and pins and depends on many variables:

- number of cabinets;

**WARNING**



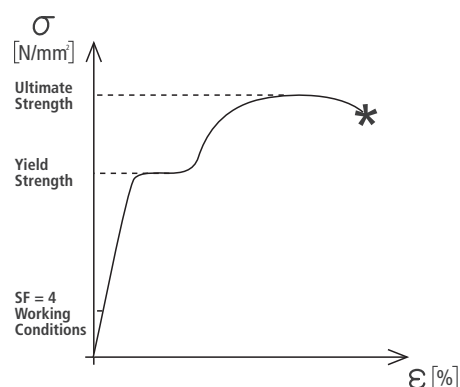
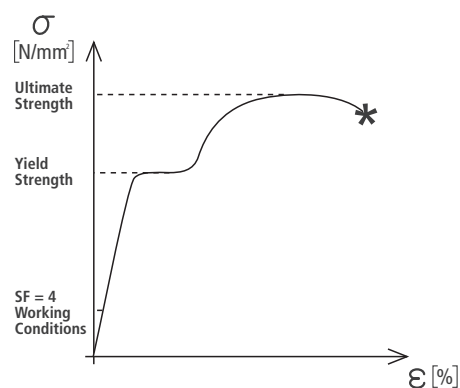
**WARNING**



**WARNING**



### "RCF SHAPE DESIGNER" SOFTWARE AND SAFETY FACTOR



- fly bar angles;
- angles from cabinets to cabinets. If one of the cited variables change the safety factor **MUST BE** recalculated using the software before rigging the system.

In case the fly bar is picked up from 2 motors make sure that the fly bar angle is correct. An angle different from the angle used in the prediction software can be potentially dangerous. Never allow persons to stay or pass under the system during the installation process. When the fly bar is particularly tilted or the array is very curved the centre of gravity can move out from the rear links. In this case the front links are in compression and the rear links are supporting the total weight of the system plus the front compression. Always check very carefully with the "RCF Shape Designer" software all this kind of situations (even with a small number of cabinets).

THE MAXIMUM NUMBER OF SPEAKERS THAT MAY BE SUSPENDED USING THE HDL20-A FRAME IS:

n° 16 HDL20-A;

n° 8 HDL18-AS;

n° 4 HDL 18-AS + 8 (EIGHT) HDL 20-A USING ACCESSORY LINK BAR HDL20-HDL18-AS

THE MAXIMUM NUMBER OF SPEAKERS THAT MAY BE SUSPENDED USING THE HDL10-A FRAME IS:

n° 16 HDL10-A;

n° 8 HDL15-AS;

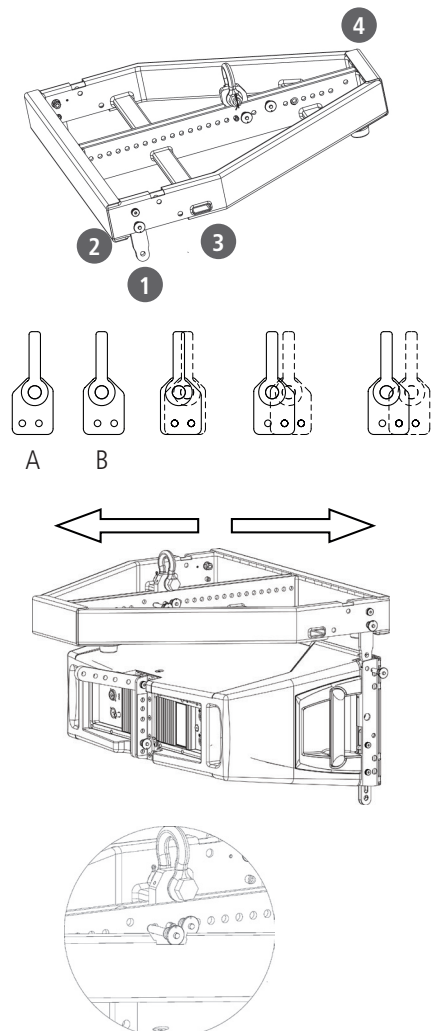
n° 4 HDL 15-AS + 8 (EIGHT) HDL 10-A USING ACCESSORY LINK BAR HDL10-HDL15-AS

## MAXIMUM ARRAY SIZE

## THE HDL FLY BAR

- 1 FRONT FLYING BRACKET. Front mounting.
- 2 QUICK LOCK PIN HOLE. Front mounting (to be used to lock the front bracket before installation).
- 3 FRONT BRACKET - TRANSPORT HOLES.
- 4 CENTRAL PICK UP POINTS.
- 5 The pickup point is asymmetric and can be fit in two positions (A and B). A position brings the shackle towards the front. B position allows an intermediate step using the same fixing holes.
- 6 Move the pickup bracket in the position suggested by RCF Shape Designer.
- 7 Fix the pickup bracket with the two pins on the bracket's lanyard to lock the pickup.

### THE HDL FLY BAR FEATURES:



- 8 Check that all the pins are secured and locked.

Rigging the system follow the procedure:

- H RIGGING CHAIN HOIST.
- S CERTIFIED SHACKLE.
- F FLY BAR.

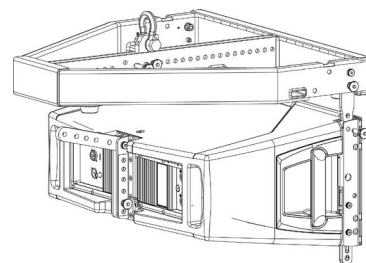
1) Connect the fly-bar F to the chain hoist H (o motors) using the certified shackle. Secure the shackle.

2) Connect the second pin on the front bracket to make sure that the connecting bracket is vertical.

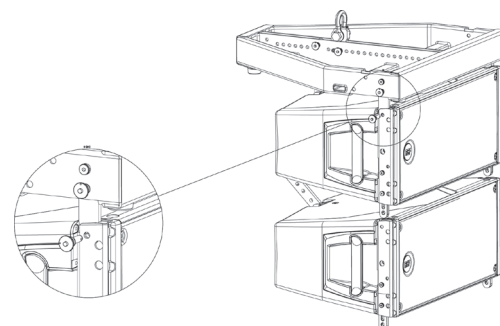
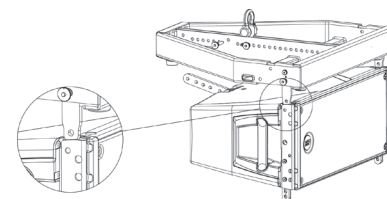
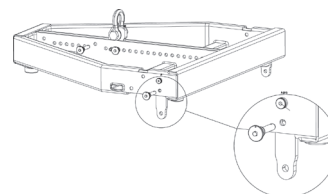
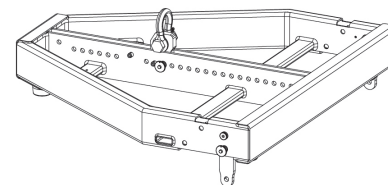
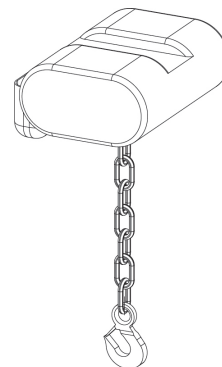
3) Connect the front bracket to the first HD cabinet using 2 quick lock pins.

USING THE FLY BAR HDL 20 LIGHT (P.N. 13360229) IT IS ALLOWED TO CONNECT A MAXIMUM OF 4 HDL 20-A MODULES.

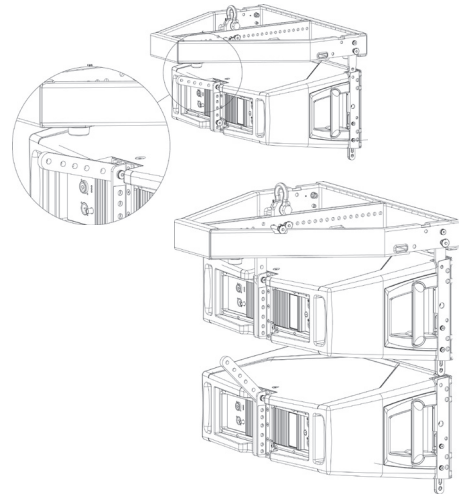
USING THE FLY BAR HDL 10 LIGHT (P.N. 13360276) IT IS ALLOWED TO CONNECT A MAXIMUM OF 6 HDL 10-A MODULES.



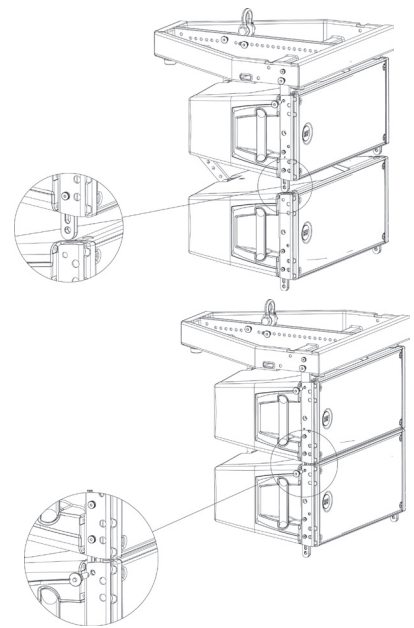
## RIGGING PROCEDURE



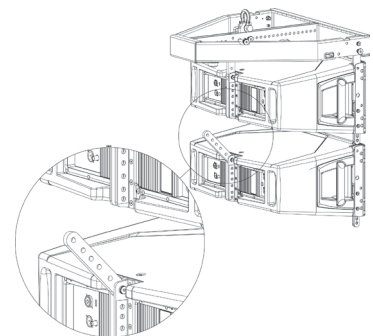
4) Reverse and connect the 1 rear bracket to the fly-bar using 2 quick lock pins. The first HDL has to be fixed always starting at 0° with respect of the frame. No other angles are allowed.



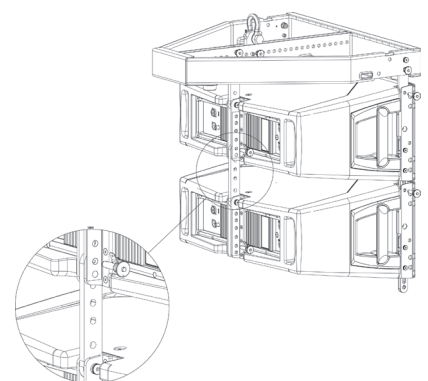
5) Connect the second cabinet to the first always starting from the 2 front brackets.



6) Reverse and connect the rear bracket of the second cabinet using the hole for the proper angle.



7) Connect all the other cabinets following the same procedure and connecting a single cabinet each time.



HDL allow users to choose from different face-to-face angle adjustments to create arrays with varying curvature. Thus, designers can create arrays custom-tailored to each venue's profile.

The basic approach to array design dependent on three factors:

- Number of Array Elements;
- Vertical Splay Angles;
- Horizontal Coverage.

Determining the number of elements to use is critical: the number of elements greatly affects the SPL available from the system as well as the uniformity of coverage in both SPL and frequency response. The number of elements profoundly effects the directivity at lower frequencies.

The next easy equation, works as an approximation for flat listening planes.

Coverage (x)  $\approx$  8n (m) Coverage distance required = x (metres).

Changing the splay angles between cabinets has a significant impact on vertical coverage for the high frequencies, with the result that narrower vertical splay angles produce a higher Q vertical beamwidth, while wider splay lowers the Q at high frequencies. In general, the splay angles do not affect the vertical coverage at lower frequencies.

The curved array system design can be summarized as:

- flat-front HDL for long throw sections;
- increase curvature as distance decreases;
- add more enclosures for more output.

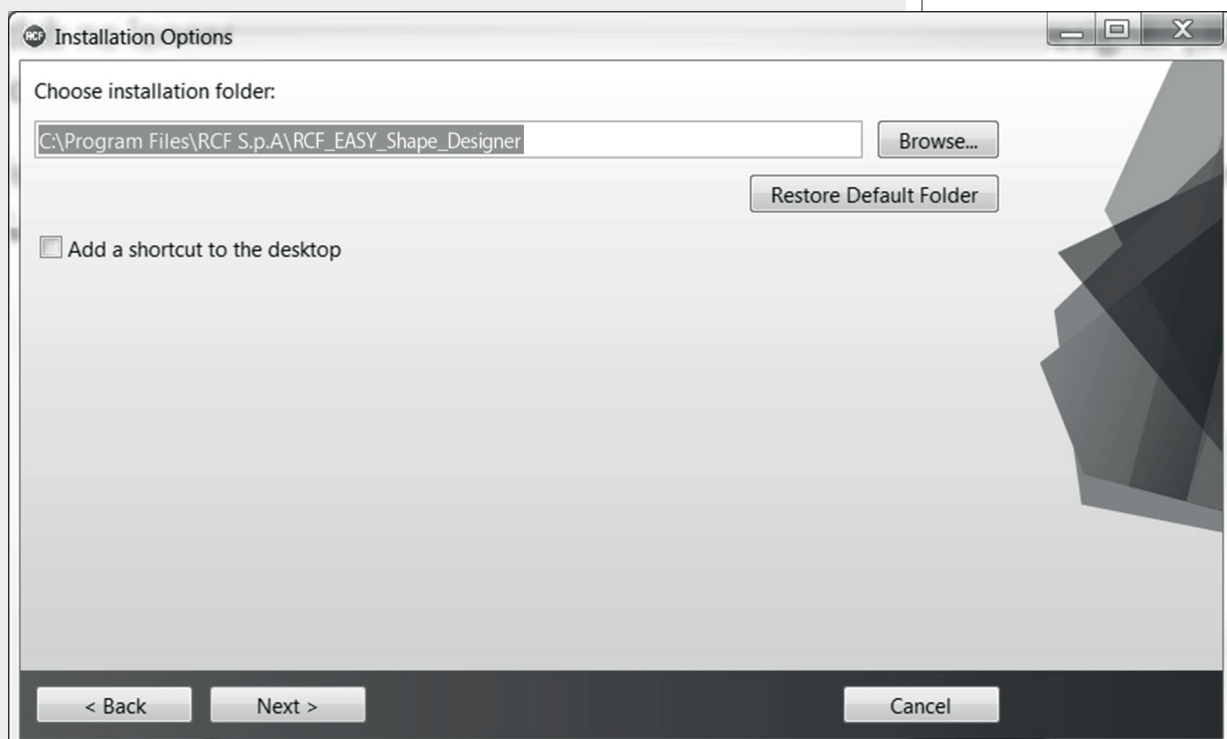
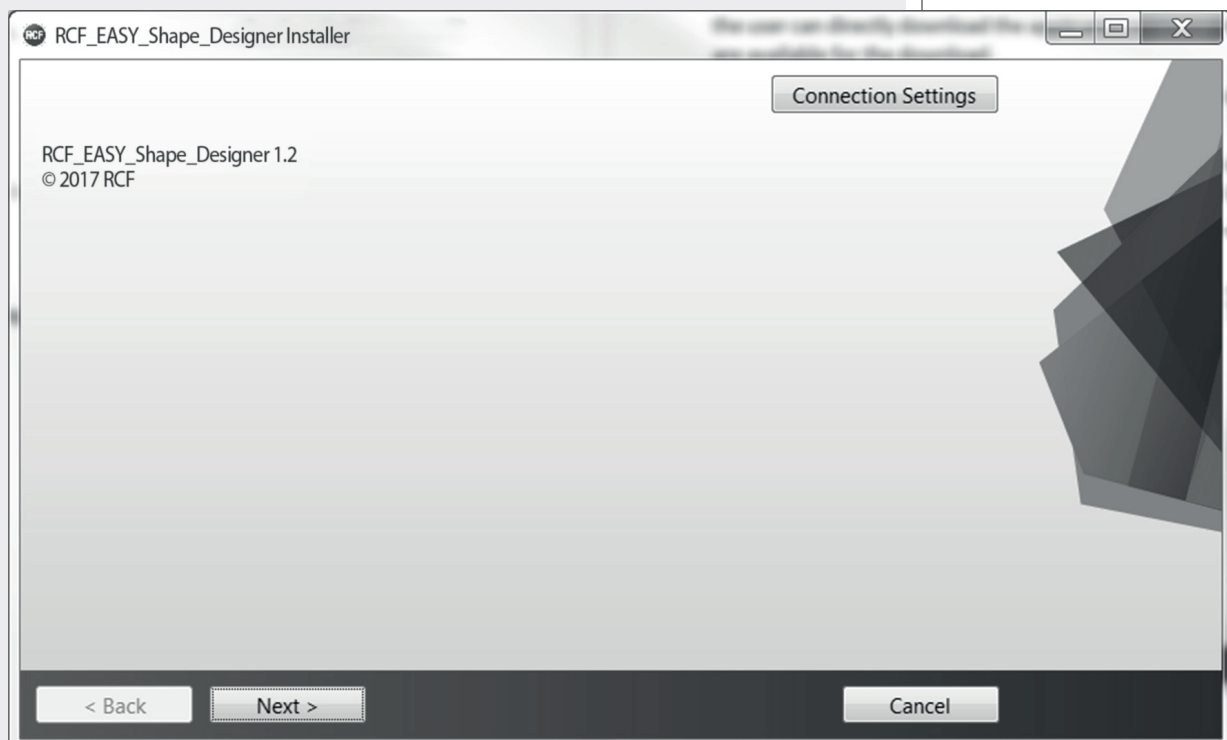
This approach focuses more transducers mounted on long-throw horns at the farthest seat, gradually focusing fewer transducers as distance decreases. As long as the no gap rule is maintained, arrays constructed according to these principles will provide even SPL and a consistent sonic character throughout the venue without requiring complex processing. This approach, where the same amount of acoustic energy is spread over a larger or smaller vertical angle depending on required throw, typically have the following objectives:

- even horizontal and vertical coverage;
- uniform SPL;
- uniform frequency response;
- sufficient SPL for the application.

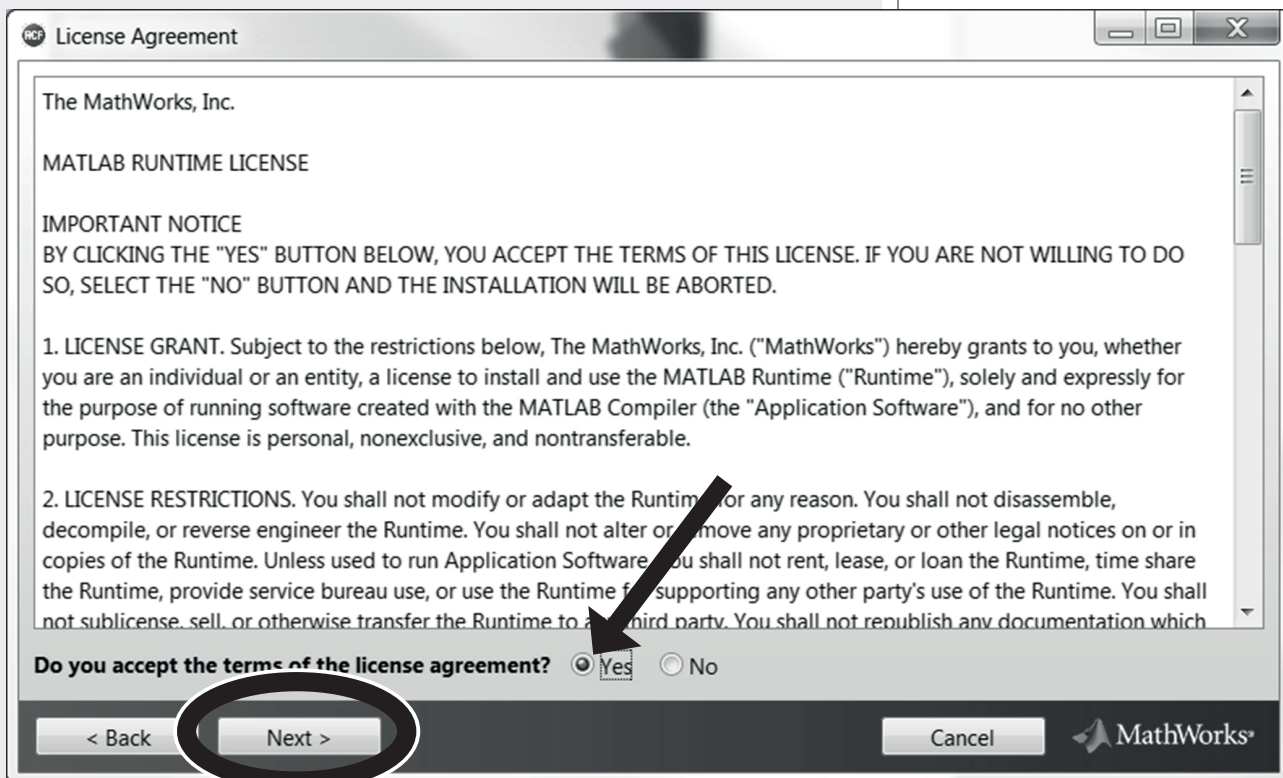
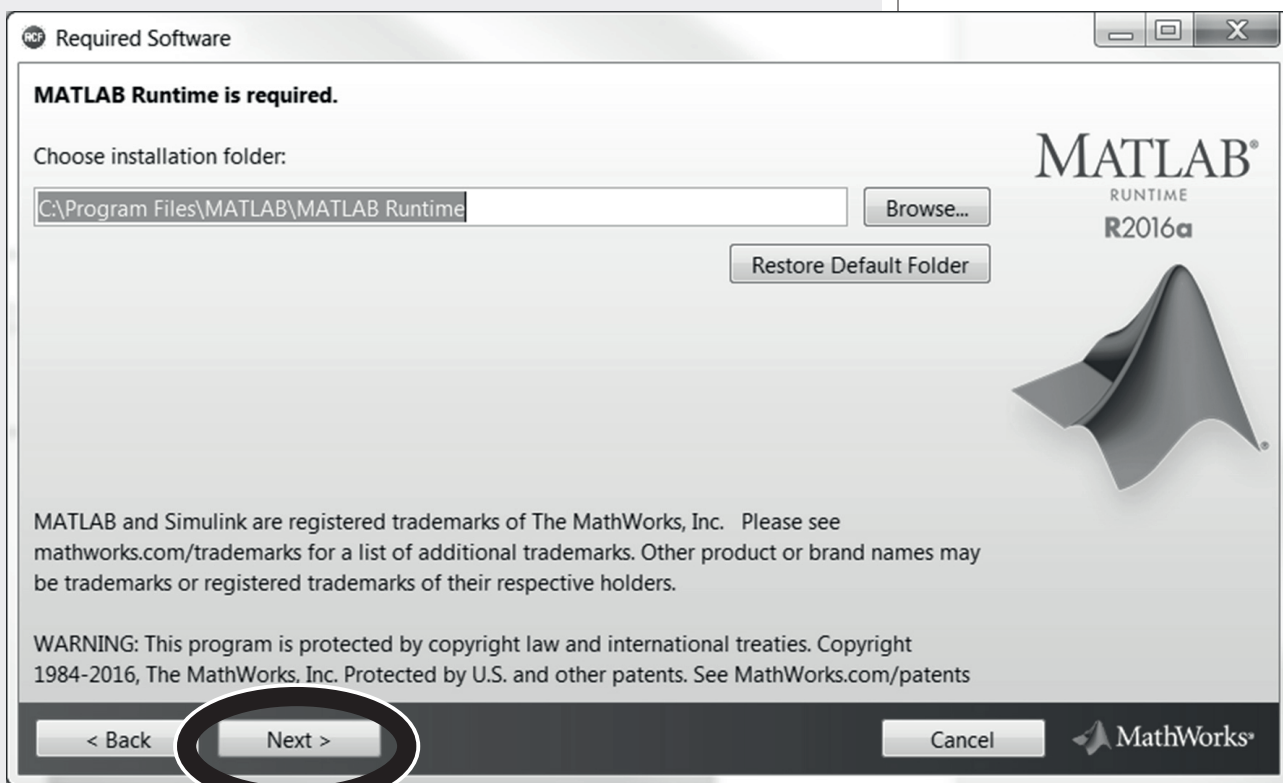
This discussion represents, of course, just a basic approach. Given the infinite variety of venues and performers, users will find themselves needing to solve specific problems in specific situations. RCF Shape Designer software designed to help calculate optimum splay angles, aiming angles, and fly-bar pick points (crucial in aiming the array) for a given venue, will be explained later in this Guide.

The software was developed with Matlab 2015b and requires Matlab programming libraries. At the very first installation user should refer to the installation package, available from the RCF website, containing the Matlab Runtime (ver. 9) or the installation package that will download the Runtime from the web. Once the libraries are correctly installed, for all the following version of the software the user can directly download the application without the Runtime. Two versions, 32-bit and 64-bit, are available for the download. IMPORTANT: Matlab no longer supports Windows XP and hence RCF Easy Shape Designer (32 bit) doesn't work with this OS version.

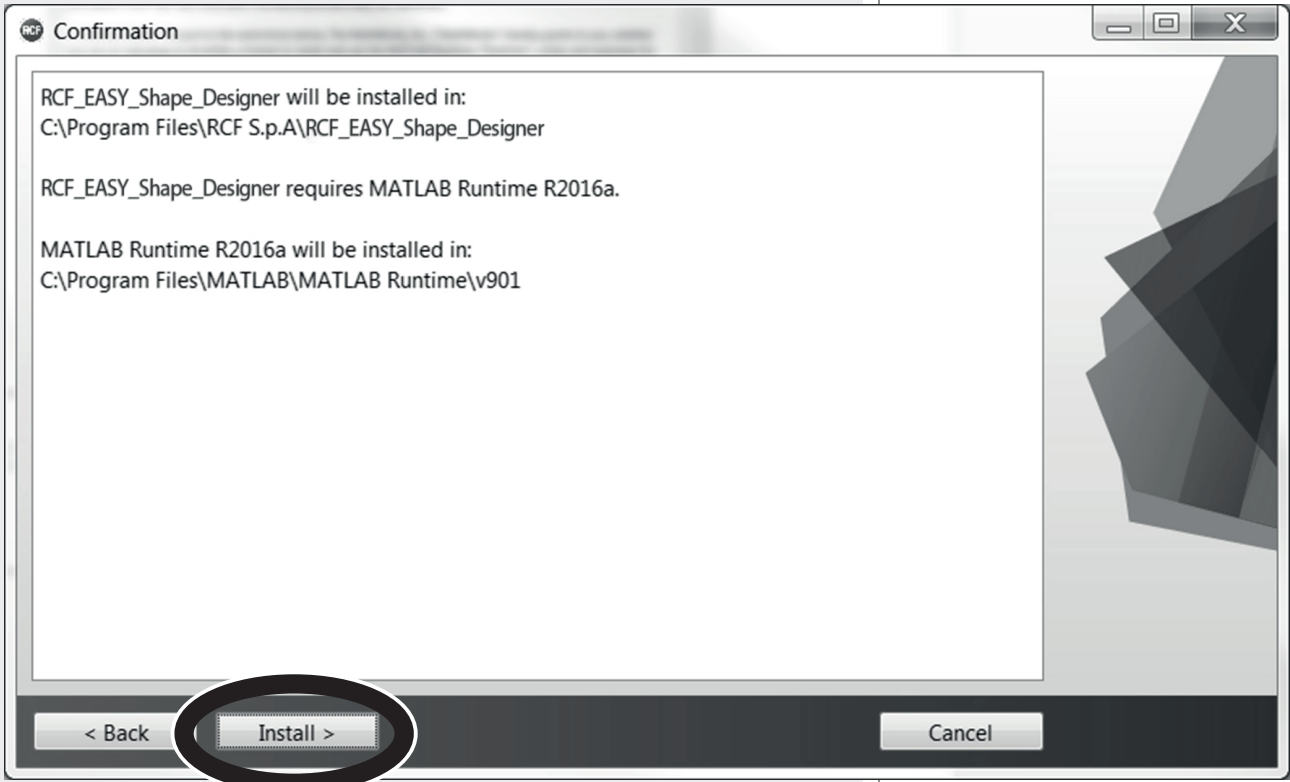
You may wait a few seconds after the double click on the installer because the software checks if Matlab Libraries are available. After this step the installation begins. Double-click the last installer (check for the last release in the download section of our website) and follow the next steps.



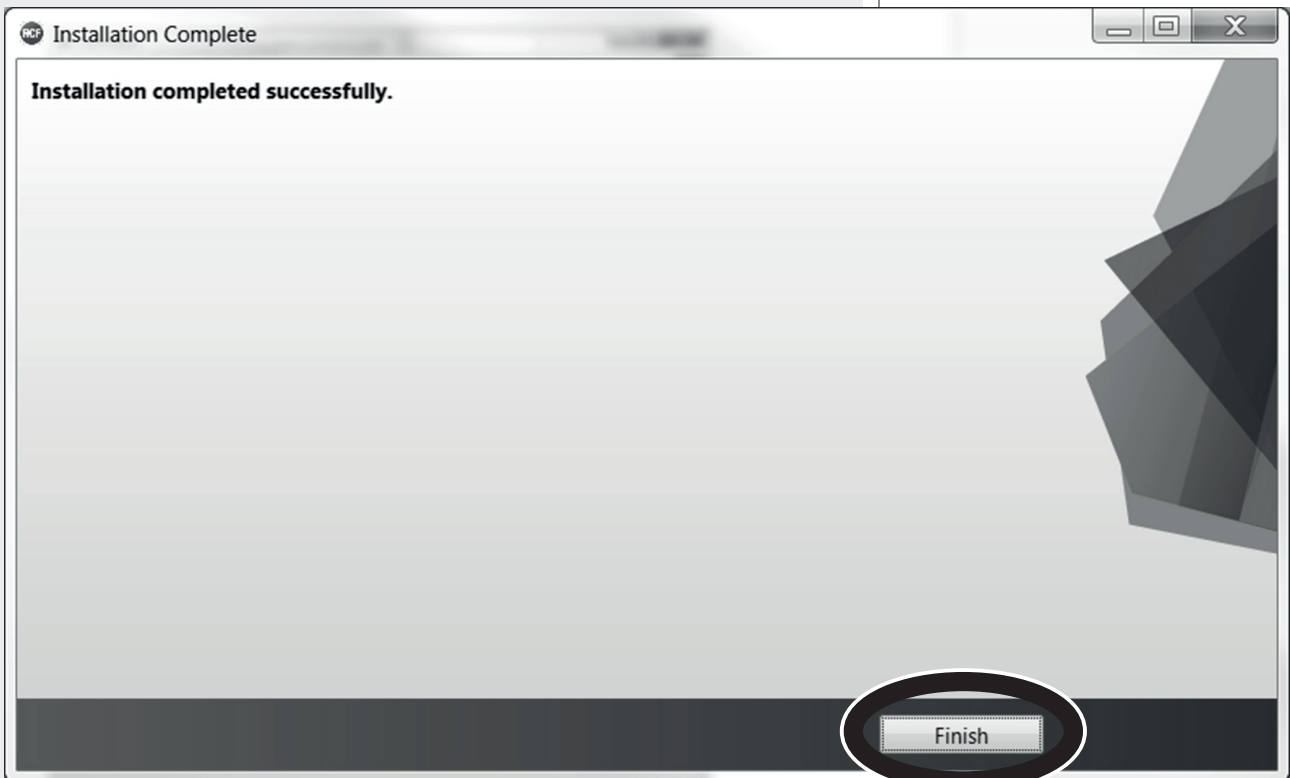








After the choice of folders for RCF Easy Shape Designer software (Figure 2) and Matlab Libraries Runtime the installer takes a couple of minutes for the installation procedure.

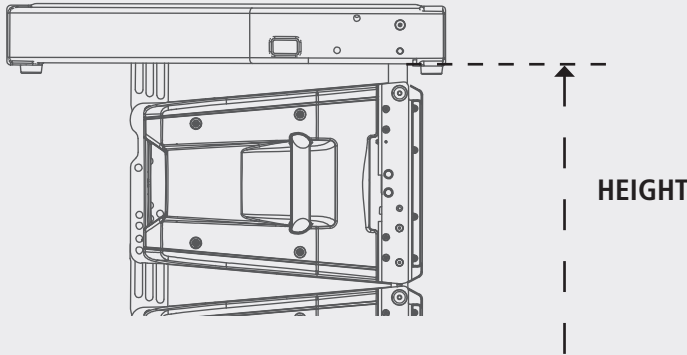


The RCF Easy Shape Designer software is divided into two macro sections: the left part of the interface is dedicated to project variables and data (size of audiences to cover, height, number of modules, etc.), the right part shows the processing results.

At first the user should introduce the audience data choosing the proper pop-up menu depending on the size of the audience and introducing the geometrical data. It is also possible to define the height of the listener.

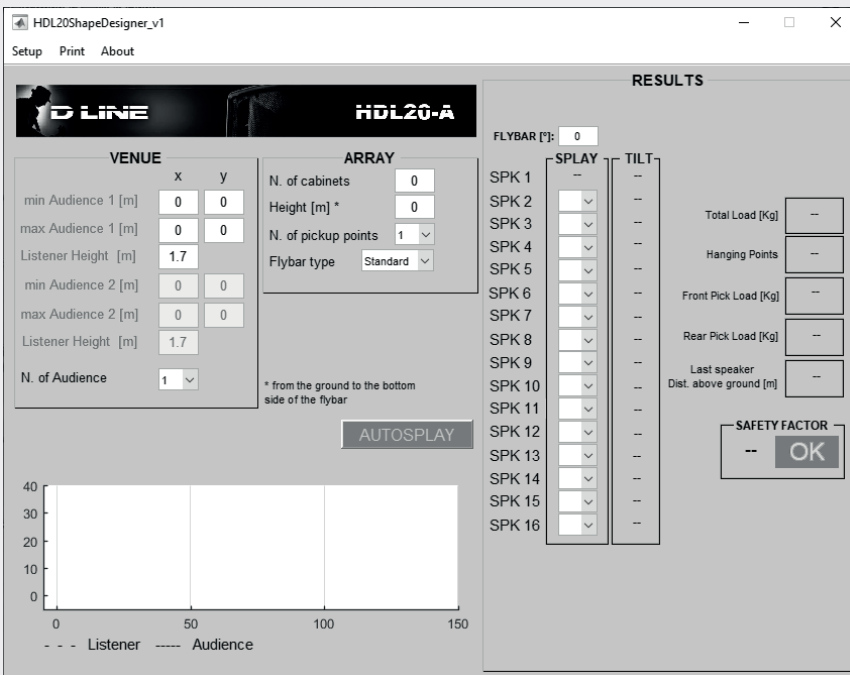
The second step is the array definition selecting the number of cabinets in the array, the hanging height, the number of hanging points and the kind of available flybars. When selecting two hanging points consider those points positioned at the flybar extremes.

The height of the array should be considered referred to the bottom side of the flybar, as shown in the picture below.



After entering all the data input in the left part of the user interface, by pressing the AUTOSPLAY button the software will perform:

- Hanging point for the shackle with A or B position indicated if a single pickup point is selected, rear and front load if two pickup points are selected.
- Flybar tilt angle and cabinet splays (angles that we have to set to each cabinet before lifting operations).
- Inclination that each cabinet will take (in case of one pick up point) or will have to take if we were to tilt the cluster with the use of two engines. (two pick up points).
- Total load and Safety Factor calculation: if the selected setup doesn't give Safety Factor > 1.5 the text message shows in red color the failure to meet the minimum conditions of mechanical safety.
- Low Frequency Presets (a single preset for all the array) for RDNet use or for rear panel rotary knob use ("Local").
- High Frequency Presets (a preset for every array module) for RDNet use or for rear panel rotary knob use ("Local").

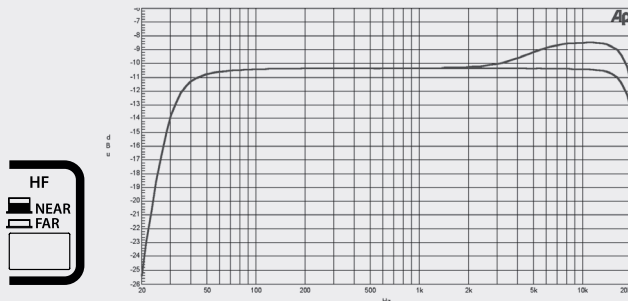


Once the design (number of elements and vertical splay angles) has been designed using Shape Designer software, you can effectively optimise the array depending on the environment and the application by driving it using different DSP presets stored onboard. Typically arrays are divided in two or three zones depending the design and size of the array.

To optimise and EQ the array, different strategies are used for high frequencies (long throws and short throws) and low frequencies.

The longer the distance, the greater the attenuation at high frequencies. Generally, high frequencies need a correction to compensate for energy lost over distance; the correction needed is usually proportional to the distance and high-frequency air absorption. In the near- to mid-field, the air absorption is not nearly as critical; in this zone, high frequencies need little additional correction.

In the next figure is shown the equalization that corresponds to HF settings for NEAR and FAR:



While wave-guides provide isolated control over various mid- to high-frequency coverage areas, the low-frequency section of a HDL array still requires mutual coupling - with equal amplitude and phase - to achieve better directionality. Low-frequency directionality is less dependent on the array's relative splay angles and more dependent on the number of elements of the array.

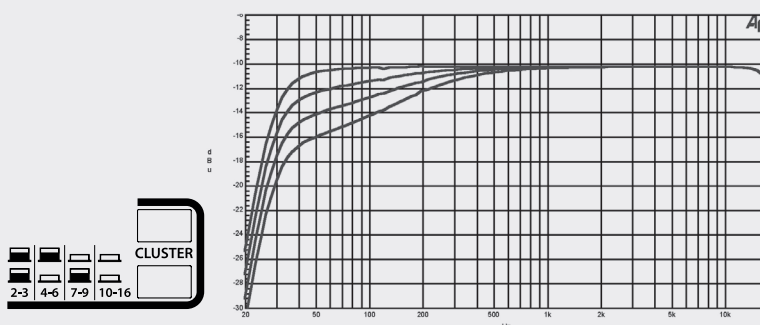
At low frequencies, the more elements in the array (the longer the array), the more directional the array becomes, providing more SPL in this range. The directional control of the array is achieved when the length of the array is similar or larger than the wavelength of the frequencies being reproduced by the array.

Although the array can (and usually should) be zoned for implementing different equalization curves for high frequencies, identical equalization should be maintained in all the low-frequency filters.

Different low-frequency equalization settings in the same array will degrade the desired coupling effect. For the same reason, gain differences are not recommended for line arrays, since adjusting various zones with an overall amplitude control for each results in decrease of Low-frequency headroom and directionality.

In any case, line arrays generally need a correction to compensate for energy sum on lows.

In the next figure is shown the equalization that corresponds to CLUSTER settings, referring to different number of speakers from 2-3 up to 10-16. Increasing the number of cabinets, response curves are decreased in order to compensate the low-frequency section mutual coupling.



## HIGH-FREQUENCY EQUALIZATION STRATEGIES

## LOW-FREQUENCY COUPLING EFFECTS

## LOW-FREQUENCY STRATEGIES

## HDL10-A & HDL20-A GROUND STACKED

HDL modules can still be stacked on top of RCF subwoofers using the HDL fly bar.

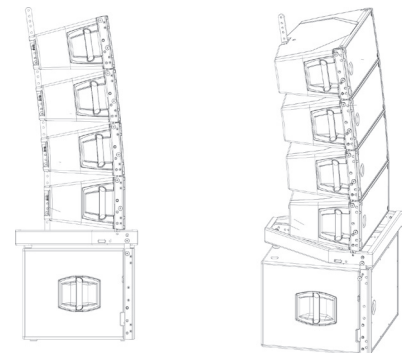
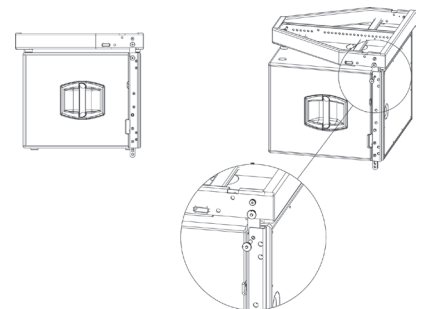
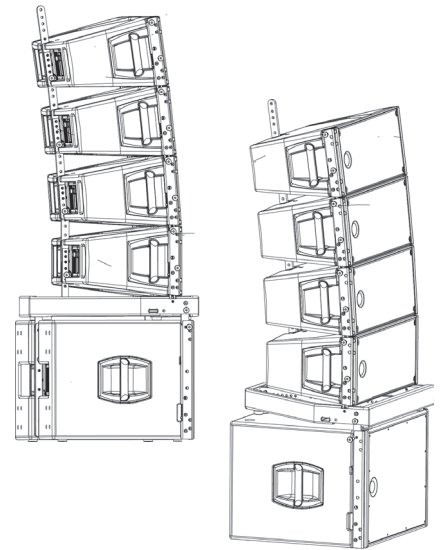
HDL 20-A compatible Subwoofers:

- SUB 8004-AS
- SUB 8006-AS
- HDL 18-AS

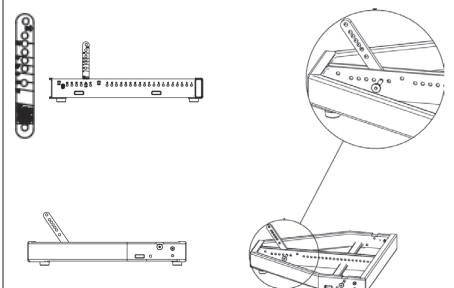
HDL 10-A compatible Subwoofers:

- SUB 8004-AS
- SUB 8006-AS
- HDL 15-AS

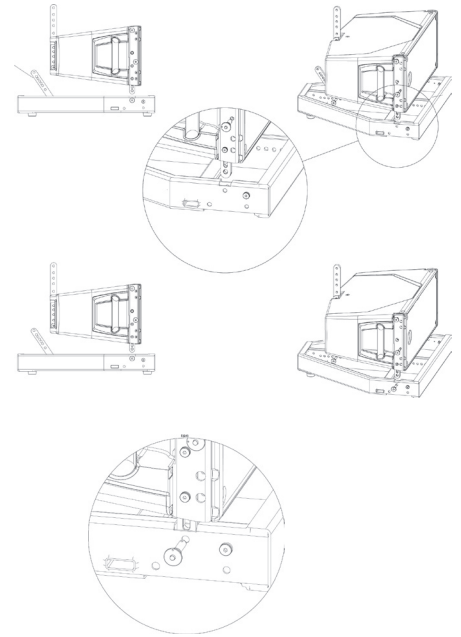
1) Fix the HDL fly bar on subs as shown in the picture.



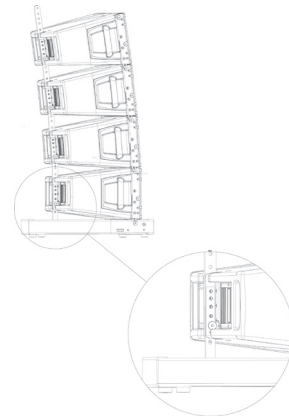
2) The stacking bar adds a fixed amount of up or down tilt to ground-stacked HDL modules, with additional 15 degrees of adjustment possible (from  $+7,5^\circ$  to  $-7,5^\circ$ ).



3) Connect front bracket of the first HDL cabinet using 2 quick lock pins.

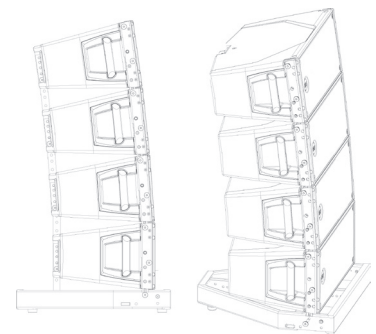


4) The baffle of the bottom box in a stacked array does not necessarily have to be parallel to the stage or the array frame. It can be tilted up or downward if desired. In this way arced arrays can be readily created from a ground stack position.

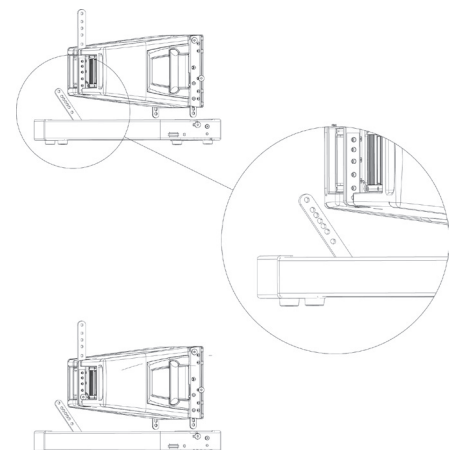


5) The bottom box in a stacked array can be tilted to obtain proper coverage patterns (from  $+7,5^\circ$  to  $-7,5^\circ$ ). Reverse and connect the 1 rear stacking bar bracket to the first enclosure using the hole for the proper angle and quick lock pins.

Add HDL cabinets one by one as indicated for flown configurations. Up to four HDL enclosures can be stacked and interlinked using the standard D LINE rigging components and the D LINE subs as ground support.



6) It is possible to stack HDL speakers on the ground using its own fly bar as shown in the pictures.







1. Si prega di leggere tutte le avvertenze con molta attenzione, in particolare quelle di sicurezza, poiché forniscono informazioni importanti.

**AVVERTENZA:** al fine di evitare il rischio di incendio o di scossa elettrica, non esporre mai il prodotto alla pioggia o all'umidità.

## 2. ALIMENTAZIONE TRAMITE RETE ELETTRICA

- a. La tensione della rete elettrica è sufficientemente elevata da provocare folgorazione; installare e collegare il prodotto prima di connettersi alla rete di alimentazione.
- b. Prima di accendere il dispositivo verificare che tutti i collegamenti siano stati effettuati in maniera corretta e che la tensione della rete di alimentazione corrisponda al valore indicato nella targhetta dati dell'unità; se così non fosse rivolgersi al proprio rivenditore RCF.
- c. Questo è un dispositivo di CLASSE I, pertanto deve essere collegato a una presa della RETE di alimentazione con collegamento di protezione a terra.
- d. Per scollegare il dispositivo dalla RETE di alimentazione si utilizza il relativo accoppiatore o il dispositivo PowerCon Connector®. Questo dispositivo deve rimanere accessibile in seguito all'installazione.
- e. Proteggere il cavo di alimentazione da possibili danneggiamenti; assicurarsi che sia posizionato in modo da non essere calpestato o schiacciato da altri oggetti.
- f. Onde evitare il rischio di scosse elettriche, non aprire mai il prodotto: esso non contiene parti a cui l'utente possa avere necessità di accedere.

3. Evitare che corpi estranei o liquidi penetrino all'interno del prodotto poiché potrebbero provocare un cortocircuito.

Evitare che l'apparecchiatura sia collocata in prossimità di gocciolamenti o spruzzi. Non posizionare oggetti contenenti liquidi, come ad esempio dei vasi, sull'apparecchiatura. Non posizionare fiamme libere (come candele accese) sull'apparecchiatura.

4. Non tentare mai di eseguire operazioni, modifiche o riparazioni che non siano espressamente descritte in questo manuale. Rivolgersi a un centro di assistenza autorizzato qualora dovesse verificarsi uno dei seguenti casi:

- **Il prodotto non funziona (o funziona in modo anomalo).**
- **Il cavo di alimentazione è danneggiato.**
- **Corpi estranei o liquidi sono penetrati nel dispositivo.**
- **Il prodotto ha subito un impatto violento.**

5. Se il prodotto non viene utilizzato per un periodo prolungato, scollegare il cavo di alimentazione.

6. Se dal prodotto provengono fumo o strani odori, spegnerlo immediatamente e scollegare il cavo di alimentazione.

7. Non collegare il prodotto ad apparecchiature o accessori non previsti per questo uso. Per installazioni sospese, utilizzare esclusivamente i punti di ancoraggio previsti e non cercare di fissare il prodotto utilizzando elementi non adatti o non specifici per questo uso. Verificare inoltre l'idoneità della superficie di supporto a cui si intende ancorare il prodotto (parete, soffitto, struttura, ecc.) e dei componenti utilizzati per il fissaggio (tasselli, viti, staffe non fornite da RCF, ecc.), che devono garantire la sicurezza del sistema/installazione nel tempo, considerando inoltre, ad esempio, le vibrazioni meccaniche normalmente prodotte dai trasduttori.

Onde evitare il rischio di cadute, non sovrapporre più unità del prodotto, a meno che il manuale specifichi tale possibilità.

**8. RCF S.p.A. raccomanda vivamente di affidare l'installazione del prodotto esclusivamente a installatori professionali qualificati (o a ditte specializzate) in grado di garantire la corretta installazione e di certificarla in base alle normative in vigore.**

**L'impianto audio deve essere complessivamente conforme agli standard e alle normative vigenti in materia di impianti elettrici.**

## AVVERTENZA



## IMPORTANTE



**9. Supporti e carrelli**

L'apparecchiatura, ove necessario, deve essere usata esclusivamente su carrelli o supporti raccomandati dal produttore. L'apparecchiatura con il relativo supporto o carrello deve essere spostata con estrema cautela. Arresti improvvisi, spinte eccessivamente forti e pavimentazioni irregolari possono provocare il ribaltamento dell'apparecchiatura.

**10.** Ai fini dell'installazione di un impianto audio professionale è necessario considerare numerosi fattori meccanici ed elettrici (oltre a quelli prettamente acustici come la pressione acustica, gli angoli di copertura, la risposta in frequenza, ecc.).

**11. Danneggiamento dell'udito**

L'esposizione a livelli acustici elevati può provocare perdita dell'udito permanente. Il livello di pressione acustica pericolosa per l'udito varia sensibilmente da persona a persona e dipende dalla durata dell'esposizione. Per prevenire l'esposizione a livelli di pressione acustica elevata potenzialmente pericolosi, chiunque sia esposto a tali emissioni deve utilizzare dispositivi di protezione adeguati. Pertanto quando viene utilizzato un trasduttore in grado di produrre livelli elevati di emissioni acustiche è necessario utilizzare tappi auricolari o cuffie di protezione. Per conoscere il livello massimo di pressione acustica consultare i dati tecnici contenuti nel manuale delle istruzioni.

**NOTE IMPORTANTI**

Al fine di prevenire la produzione di rumore sui cavi del segnale di linea, utilizzare esclusivamente cavi schermati ed evitare di collocarli nelle vicinanze di:

- **Apparecchiature che producono campi elettromagnetici ad alta intensità**
- **Cavi di alimentazione.**
- **Linee degli altoparlanti**
- 

**Gli apparati considerati nel presente manuale sono idonei per essere utilizzati in Ambienti Elettromagnetici da E1 a E3 come indicato nella Normativa EN 55103-1/2: 2009.**

**NOTE IMPORTANTI****PRECAUZIONI DI UTILIZZO**

- **Posizionare il prodotto lontano da fonti di calore e assicurare sempre un'adeguata circolazione d'aria attorno ad esso.**
- **Non sottoporre il prodotto a sovraccarichi prolungati.**
- **Non forzare mai i comandi (pulsanti, manopole, ecc.).**
- **Non utilizzare solventi, alcool, benzene o altre sostanze volatili per la pulizia delle parti esterne del prodotto.**

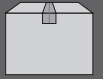
**NOTE IMPORTANTI**

Prima di collegare e utilizzare il prodotto, leggere attentamente il manuale d'istruzioni e tenerlo a portata di mano per consultazioni future. Il manuale è da considerare come parte integrante del prodotto e deve seguirlo anche nei passaggi di proprietà per permettere al nuovo proprietario di conoscere le modalità di installazione e d'uso e le avvertenze per la sicurezza. RCF S.p.A. declina ogni responsabilità per le conseguenze di un'installazione e/o utilizzo errati del prodotto.

**ATTENZIONE:** al fine di prevenire shock elettrici, disconnettere il dispositivo dall'alimentazione di rete quando la griglia viene rimossa

**NOTE IMPORTANTI****ATTENZIONE**





Questo straordinario diffusore si basa su un concetto derivato dall'esperienza live, mettendo tutta l'esperienza dell'acustica professionale RCF in un cabinet compatto.

Le voci sono naturali, il suono è chiaro anche a grandi distanze, la pressione acustica (SPL) è stabile a livelli estremamente alti.

I trasduttori di precisione RCF della serie D-LINE sono da decenni quelli con le migliori prestazioni, la gestione della potenza più elevata e la tecnologia più avanzata in campo professionale e touring.

Il woofer a elevata potenza emette bassi estremamente accurati, il driver a compressione personalizzato offre un midrange trasparente e grandissima fedeltà del suono.

La tecnologia degli amplificatori RCF in Classe D offre in un'unica soluzione e a peso ridotto ottime prestazioni ed elevata efficienza. Gli amplificatori D-LINE offrono un attacco rapidissimo, una risposta al transitorio realistica e prestazioni audio eccezionali.

Il DSP integrato controlla crossover, equalizzazione, soft limiter, compressore e aumento dinamico dei bassi.

I cabinet della serie D-LINE sono realizzati con un materiale composito in polipropilene speciale, progettato per attenuare le vibrazioni anche al massimo volume.

Dallo stampaggio alla finitura, la serie D-LINE offre il massimo livello di affidabilità e di resistenza per l'uso intenso su strada.

I modelli HDL20-A e HDL10-A sono moduli di casse acustiche a 2 vie per sistemi ad array, ultracompatti e autoalimentati. I moduli di amplificatori Classe D da 700 W si abbinano perfettamente con le schede di ingresso del segnale digitale ad alta qualità, grazie a una risposta dei filtri precisa e complessa che consente una riproduzione del suono naturale e dettagliata, degna dei migliori sistemi a radiazione diretta. Sono la scelta migliore in quei casi in cui occorrono le prestazioni di un line array ma le dimensioni dell'ambiente non permettono l'utilizzo di line array più grandi, e in cui è fondamentale un'installazione semplice e veloce. Gli altoparlanti offrono livelli straordinari di flessibilità, chiarezza e gestione della potenza, oltre a un'ottima qualità del suono; il tutto in un pacchetto compatto, facile da gestire ed economico.

#### LA SEZIONE INGRESSI COMPRENDE:

- connettori XLR di uscita;
- connettore XLR/Jack di ingresso;
- controllo del volume;
- interruttore a 5 configurazioni;
- LED a 4 stati

#### HDL20-A È UN SISTEMA ATTIVO BIDIREZIONALE CON:

- woofer in neodimio da 10", bobina da 2,5" con caricamento a tromba;
- uscita da 2", compression driver in neodimio, bobina da 3";
- angolo di copertura a direttività costante, 100° x 15°.

#### HDL10-A È UN SISTEMA ATTIVO BIDIREZIONALE CON:

- woofer in neodimio da 8", bobina da 2,0" con caricamento a tromba;
- uscita da 2", compression driver in neodimio, bobina da 2.5";
- angolo di copertura a direttività costante, 100° x 15°.

#### LA SEZIONE AMPLIFICATORI COMPRENDE:

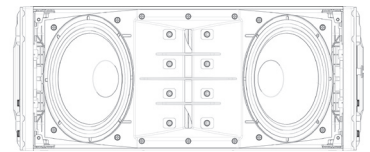
- modulo di alimentazione di commutazione da 700 W;
- modulo amplificatore digitale a bassa frequenza da 500 W;
- modulo amplificatore digitale ad alta frequenza da 200 W;
- bus condensatore aggiuntivo in grado di reggere la tensione per segnali da 100 ms.

La potenza di alimentazione complessiva disponibile è di 700 W e può essere distribuita alle 2 sezioni finali dell'amplificatore. Ogni sezione dell'amplificatore ha una portata della potenza di uscita massima molto elevata, allo scopo di fornire, ove necessario, la massima quantità di treni di segnali di uscita su intervalli di frequenza specifici.

## D LINE

### TOURING AUDIO SOLUTIONS

#### HDL20-A, HDL10-A MODULI LINE ARRAY ATTIVI



## REQUISITI DI ALIMENTAZIONE E SETTAGGIO

I sistemi line array HDL sono progettati per poter funzionare anche in condizioni sfavorevoli e gravose. È comunque importante prestare la massima attenzione all'alimentazione in CA e a impostare un sistema di distribuzione adeguato.

I sistemi line array HDL sono progettati per essere COLLEGATI A TERRA. Utilizzare sempre connessioni collegate a terra.

Gli amplificatori HDL sono progettati per operare entro i seguenti limiti di tensione in CA:

TENSIONE NOMINALE 230 V: tensione minima 185 V, tensione massima 260 V

TENSIONE NOMINALE 115 V: tensione minima 95 V, tensione massima 132 V.

Se la tensione scende sotto il livello minimo ammesso il sistema smette di funzionare. Se la tensione sale oltre il livello massimo ammesso, il sistema potrebbe risultarne seriamente danneggiato. Per ottenere le migliori prestazioni dal sistema è estremamente importante che la caduta di tensione sia la più bassa possibile.

Accertarsi che tutto il sistema sia adeguatamente collegato a terra. Tutti i punti di massa devono essere collegati allo stesso nodo di massa. Ciò favorirà la riduzione del ronzio del sistema audio.

Il modulo è dotato di un'uscita Powercon per collegare in serie altri moduli. Il numero massimo di moduli che è possibile collegare in serie è:

---

**TENSIONE NOMINALE 230 V: tensione minima 185 V, tensione massima 264 V (per Regno Unito 240 V+10%)**

---

**TENSIONE NOMINALE 115 V: tensione minima 95 V, tensione massima 132 V.**

---

Un numero maggiore di moduli collegati in serie supererebbe la portata massima del connettore Powercon, causando una situazione di possibile pericolo.

Quando i sistemi line array HDL ricevono un'alimentazione trifase è molto importante mantenere un buon bilanciamento nel carico di ogni fase dell'alimentazione in CA. È poi essenziale comprendere i subwoofer e i satelliti nel computo della distribuzione di potenza: sia i subwoofer sia i satelliti devono essere distribuiti fra le tre fasi.

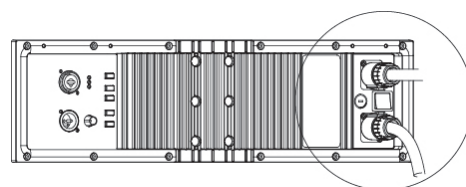
**ATTENZIONE**



**VOLTAGGIO**

**COLLEGAMENTO A TERRA**

**COLLEGAMENTO IN SERIE**



**ATTENZIONE**



**ALIMENTAZIONE TRIFASE**



**1** INGRESSO XLR PRINCIPALE (BAL/UNBAL). Utilizzare connettori di ingresso maschi XLR/Jack con segnali di linea da mixer o da altra fonte di segnali.

**2** LINK XLR OUTPUT. Il connettore XLR di uscita consente il collegamento in serie dei diffusori.

**3** VOLUME. Controlla il volume dell'amplificatore di potenza. L'intervallo varia da - (attenuazione massima) al livello massimo  $\infty$  (uscita massima).

**4** INDICATORE DELL'ALIMENTAZIONE. Quando il cavo di alimentazione è collegato e l'interruttore dell'alimentazione è attivo, questo indicatore è illuminato in verde.

**5** INDICATORE DEL SEGNALE. L'indicatore del segnale si illumina in verde se è presente un segnale nell'ingresso XLR principale.

**6** INDICATORE DEL LIMITER. L'amplificatore ha un limiter integrato che impedisce il clipping del segnale degli amplificatori o l'overdrive dei trasduttori. Quando il limiter è attivo, il LED lampeggia in arancione. Se il LED del limiter lampeggia occasionalmente è normale. Se il LED del limiter lampeggia frequentemente o resta acceso, abbassare il livello del segnale. L'amplificatore ha un limiter RMS integrato. Se il limiter RMS è attivo il LED è acceso in rosso. Il limiter RMS serve a impedire danneggiamenti ai trasduttori. L'amplificatore non deve mai essere usato quando l'indicatore del limiter è rosso, un funzionamento continuativo con la protezione RMS attiva può danneggiare l'amplificatore.

**7** ALTE FREQUENZE. L'interruttore consente di impostare la correzione delle alte frequenze in base all'area da coprire (a causa dell'assorbimento d'aria):

- NEAR (usata per installazioni su pali o vicine)
- FAR (per installazioni più lontane).

**8** CLUSTER. La combinazione di 2 interruttori offre 4 possibilità di correzione delle frequenze medio-basse, in base alla dimensione del cluster.

- 2-3 moduli (utilizzato per installazioni su pali)
- 4-6 moduli (sistemi piccoli)
- 7-9 moduli (sistemi medi)
- 10-16 moduli (sistemi grandi).

**9** ELEVATA CURVATURA. L'interruttore offre la possibilità di aumentare le frequenze intermedie in base a una configurazione del cluster con pochi pezzi ed elevata curvatura.

- OFF (senza correzione attiva)
- ON (per gruppi a curvatura elevata di pochi elementi HDL20-A o HDL10-A).

**10** INTERNI. L'interruttore offre l'ulteriore possibilità di impostare correzioni di bassa frequenza in base all'uso interno/esterno, allo scopo di compensare il riverbero nell'ambiente alle basse frequenze.

- OFF (senza correzione attiva)
- ON (correzione per ambienti interni con riverbero).



**11** PRESA POWERCON CA. La serie D-LINE RCF utilizza una rete di alimentazione in CA con POWERCON a 3 poli.

Utilizzare sempre gli appositi connettori forniti nella confezione.

**12** PRESA DI COLLEGAMENTO POWERCON CA. Utilizzare questa presa per collegare uno o più elementi. Accertarsi sempre che i requisiti di corrente massimi non superino la massima corrente ammessa della presa POWERCON. In caso di dubbi contattare il CENTRO DI ASSISTENZA RCF più vicino.

**13** INTERRUTTORE RETE DI ALIMENTAZIONE. L'interruttore dell'alimentazione serve ad ACCENDERE e SPEGNERE l'alimentazione stessa. Accertarsi che il volume sia impostato su - all'accensione del diffusore.

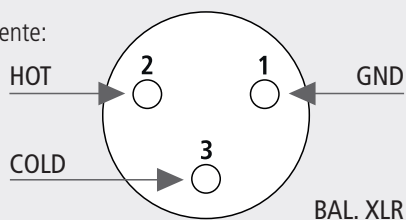
**14** FUSIBILE.

I connettori XLR utilizzano lo standard AES seguente:

CONNETTORE 1 = MASSA (SCHERMATA)

CONNETTORE 2 = CALDO (+)

CONNETTORE 3 = FREDDO (-)



A questo punto è possibile collegare il cavo dell'alimentazione e il cavo del segnale; prima di attivare il diffusore accertarsi che il volume sia regolato al minimo (anche sull'uscita del mixer). È importante che il mixer sia già ACCESO prima di attivare il diffusore. Questo servirà a prevenire danneggiamenti agli altoparlanti e i fastidiosi "salti" nel flusso audio dovuti all'accensione. È buona norma accendere sempre i diffusori all'ultimo momento e spegnerli subito dopo l'esibizione.

Ora è possibile ACCENDERE il diffusore e regolare il volume al livello richiesto.

**ATTENZIONE:** accertarsi sempre che i requisiti di corrente massimi non superino la massima corrente ammessa della presa POWERCON. In caso di dubbi contattare il CENTRO DI ASSISTENZA RCF più vicino.

**IMPOSTAZIONI 230 V, 50 Hz: PORTATA FUSIBILE T3, 15 A - 250 V**

**IMPOSTAZIONI 115 V, 60 Hz: PORTATA FUSIBILE T6, 30 A - 250 V**

Il segnale audio può essere collegato in serie utilizzando il circuito dei connettori maschi XLR. Una singola fonte audio può comandare svariati moduli di diffusori (canale sinistro o destro composto di 8-16 moduli di casse); accertarsi che il dispositivo in ingresso sia in grado di comandare il carico di impedenza composto dai circuiti di ingresso dei moduli in parallelo. Il circuito di ingresso line array HDL presenta un'impedenza di ingresso di 100 kΩ. L'impedenza di ingresso totale come carico dalla fonte audio (ad es. mixer audio) sarà:

- impedenza d'ingresso del sistema =  $100 \text{ k}\Omega / \text{numero di circuiti d'ingresso in parallelo}$ .

L'impedenza d'uscita richiesta della fonte audio (ad es. mixer audio) sarà:

- impedenza d'uscita della fonte >  $10 \cdot \text{impedenza d'ingresso del sistema}$ ;
- assicurarsi sempre che i cavi XLR utilizzati per inviare il segnale audio al sistema siano:
- cavi audio bilanciati;
- cablati in fase.

Un solo cavo difettoso può compromettere il funzionamento dell'intero sistema!

## CONNESSIONI

### PRIMA DELL'ACCENSIONE DEL DIFFUSORE

### ATTENZIONE



### IMPOSTAZIONI DI VOLTAGGIO (RISERVATO AI CENTRI DI ASSISTENZA RCF)

### COLLEGAMENTO IN SERIE DEL SEGNALE

Il sistema HDL è flessibile e può essere utilizzato per applicazioni al suolo o sospese. Seguono informazioni utili per impostare il sistema HDL in modo sicuro ed efficace.

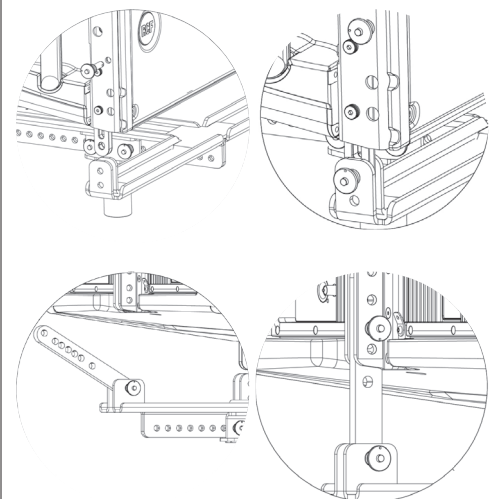
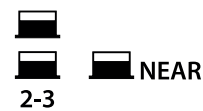
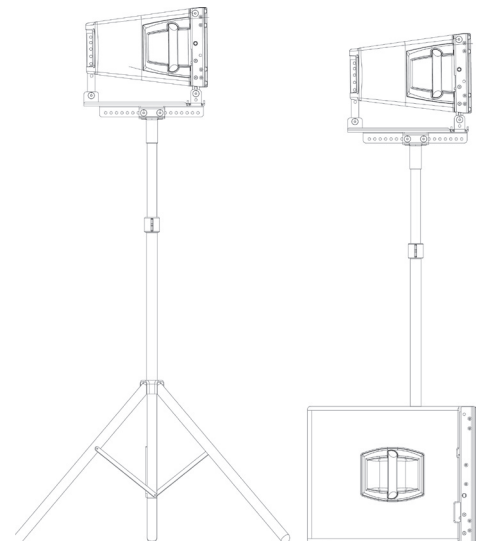
Se si utilizzano piedistalli o aste, accertarsi di seguire le precauzioni seguenti:

- Controllare le specifiche del piedistallo o dell'asta per accertarsi che siano in grado di sostenere il peso del diffusore. Rispettare tutte le precauzioni di sicurezza indicate dal produttore.
- Accertarsi che la superficie sulla quale è posizionato il sistema sia piana, stabile e resistente.
- Controllare il piedistallo (o asta con relativa attrezzatura) prima di ogni uso e non utilizzare un'apparecchiatura con parti consumate, danneggiate o mancanti.
- Non cercare di posizionare più di due diffusori HDL su un piedistallo o su un'asta.
- Quando si montano due diffusori HDL su un'asta o su un cavalletto, è necessario utilizzare tutta l'attrezzatura necessaria per fissare i diffusori uno all'altro.
- Agire sempre con cautela quando si installa il sistema all'esterno. Il vento potrebbe far oscillare il sistema. Non applicare striscioni o simili su nessuna parte del diffusore. Tali elementi potrebbero fungere da vela e far oscillare il sistema.

Un singolo diffusore HDL può essere impiegato su un cavalletto (AC S260) o su un'asta (AC PMA) sui relativi subwoofer della serie D-LINE. Si raccomanda l'uso di un subwoofer per applicazioni in cui è richiesta maggiore potenza in bassa frequenza ed estensione. In quest'ultimo caso è necessario utilizzare il pole mount (P.N. 13360110).

Solitamente, l'interruttore del cluster sul pannello d'ingresso deve essere impostato sulle posizioni 2-3 e l'HF su NEAR, quando si utilizza un solo diffusore. L'utilizzo di un interruttore per interni dipende dalla posizione del diffusore. Ogni volta che si installa il diffusore su un pole mount o su un treppiedi, è necessario utilizzare solo ed esclusivamente i suoi accessori LIGHT BAR HDL20-A (P.N. 13360229) o LIGHT BAR HDL10-A (P.N. 13360276), come illustrato nella figura seguente.

## AVVERTENZE DI SICUREZZA PER L'UTILIZZO DI POLE MOUNT E TREPPIEDI



I carichi sospesi devono essere installati con estrema cautela.

- Durante l'installazione di un sistema indossare sempre il caschetto protettivo e le scarpe antinfortunistiche.
- Non consentire mai il passaggio di persone sotto il sistema durante il processo di installazione.
- Non lasciare mai il sistema incustodito durante il processo di installazione.
- Non installare mai il sistema su aree di pubblico accesso.
- Non collegare mai altri carichi al sistema di diffusori.
- Non salire sul sistema durante e dopo l'installazione.
- Non esporre il sistema a carichi ulteriori dovuti al vento o alla neve.

**ATTENZIONE:** il sistema deve essere fissato nel rispetto delle leggi e dei regolamenti del paese in cui sarà utilizzato. Il proprietario o installatore è responsabile di garantire che il sistema sia fissato correttamente, in base alle leggi e ai regolamenti statali e locali.

**ATTENZIONE:** controllare sempre che tutti i componenti del sistema di installazione non forniti da RFC siano:

- adatti all'uso;
- approvati, certificati e marchiati;
- adeguatamente dimensionati;
- in condizioni perfette.

**ATTENZIONE:** ogni diffusore è in grado di sostenere l'intero carico del componente del sistema sottostante. È molto importante che ogni singolo diffusore del sistema sia adeguatamente controllato.

Il sistema delle sospensioni è progettato con i fattori di sicurezza adeguati (in base alla configurazione). Tramite il software "RCF Shape Designer" è molto semplice comprendere i limiti e i fattori di sicurezza in ogni singola configurazione. Per comprendere meglio in quale intervallo di sicurezza lavorano i meccanismi è necessaria una semplice introduzione: i meccanismi HDL sono realizzati con acciaio certificato UNI EN 10025-95 S 235 JR e S 355 JR.

S 235 JR è un acciaio strutturale con la curva di trazione (o di deformazione equivalente) illustrata a fianco.

La curva è caratterizzata da due punti critici: il punto di rottura e il punto di snervamento. Il carico di rottura è semplicemente la sollecitazione massima raggiunta. Il carico di rottura è normalmente utilizzato come indicatore della resistenza del materiale per progettazioni strutturali, ma è utile notare che altre proprietà di resistenza sono spesso più importanti. Una di queste è indubbiamente la resistenza allo snervamento. Il grafico della curva di trazione di S 235 JR mostra una rottura netta a una sollecitazione inferiore al carico di rottura. A questo livello critico, il materiale si allunga considerevolmente, senza una variazione evidente della sollecitazione. La sollecitazione a cui questo avviene si definisce punto di snervamento.

Una deformazione permanente può essere dannosa, nel settore è stato stabilito che lo 0,2% di deformazione plastica è il limite arbitrario considerato accettabile da tutte le agenzie di regolamentazione. Per quanto riguarda tensione e compressione, la sollecitazione corrispondente a questa deformazione si definisce come snervamento.

I valori caratteristici di S 355 J e S 235 JR sono  $R=360$  [N/mm<sup>2</sup>] e  $R=510$  [N/mm<sup>2</sup>] per carico di rottura e  $R_{p0,2}=235$  [N/mm<sup>2</sup>] e  $R_{p0,2}=355$  [N/mm<sup>2</sup>] per la resistenza allo snervamento. Nel nostro software predittivo i fattori di sicurezza sono calcolati considerando il carico di rottura equivalente alla resistenza allo snervamento, come indicato da svariate norme e regole internazionali. Il fattore di sicurezza risultante è il valore minimo di tutti i fattori di sicurezza calcolati, per ogni collegamento o connettore.

Questo è il punto di lavorazione con un FS=4:

Il fattore di sicurezza richiesto può variare in base alle norme di sicurezza locali o alla situazione. Il proprietario o installatore è responsabile di garantire che il sistema sia fissato regolarmente, in base alle leggi e ai regolamenti statali e locali. Il software "RCF Shape Designer" fornisce informazioni dettagliate sul fattore di sicurezza per ogni configurazione specifica.

ATTENZIONE



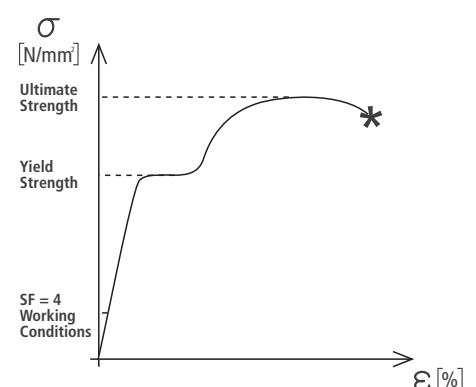
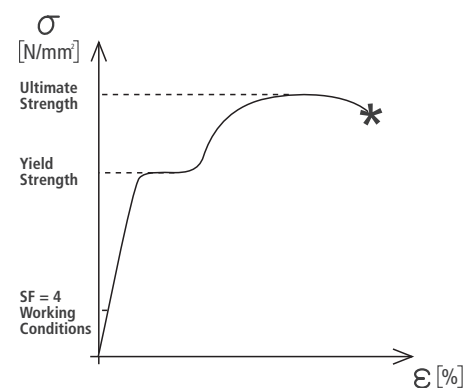
ATTENZIONE



ATTENZIONE



### "RCF SHAPE DESIGNER" SOFTWARE E FATTORI DI SICUREZZA





Il fattore di sicurezza è il risultato delle forze che agiscono sui collegamenti e sui connettori anteriori e posteriori della barra di sospensione e del sistema, e dipende da alcune variabili:

- numero di diffusori;
- angolo formato dal primo cabinet e dalla barra di sospensione;
- angoli tra i diffusori. Se una delle variabili elencate cambia il fattore di sicurezza DEVE ESSERE ricalcolato tramite il software prima di fissare il sistema.

Se la barra di sospensione proviene da 2 motori, accertarsi che la sua angolazione sia corretta. Un'angolazione diversa da quella utilizzata nel software predittivo può essere potenzialmente pericolosa. Non consentire mai la sosta o il passaggio sotto il sistema durante il processo di installazione.

Quando la barra di sospensione è particolarmente inclinata o il gruppo è molto curvato, il baricentro può uscire dai collegamenti posteriori. In questo caso i collegamenti anteriori sono compressi e i collegamenti posteriori sostengono il peso complessivo del sistema oltre alla compressione anteriore. Controllare sempre attentamente tutte queste condizioni con il software "RCF Shape Designer" (anche con pochi cabinet).

IL NUMERO MASSIMO DI DIFFUSORI SOSPESI CHE PUÒ ESSERE INSTALLATO UTILIZZANDO IL TELAIO HDL20-A È:

- 16 HDL20-A;
- 8 HDL18-AS;
- 4 HDL 18-AS + 8 (OTTO) HDL 20-A MEDIANTE L'ACCESSORIO LINK BAR HDL20-HDL18-AS

IL NUMERO MASSIMO DI DIFFUSORI SOSPESI CHE PUÒ ESSERE INSTALLATO UTILIZZANDO IL TELAIO HDL10-A È:

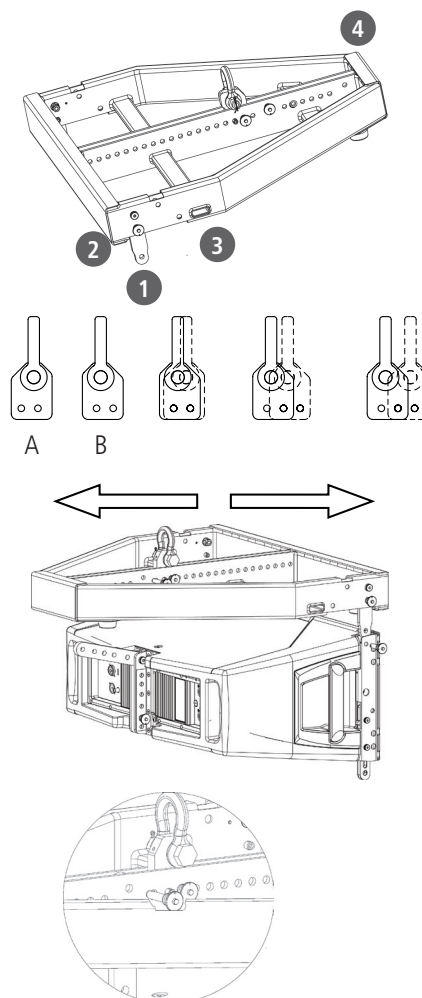
- 16 HDL10-A;
- 8 HDL15-AS;
- 4 HDL 15-AS + 8 (OTTO) HDL 10-A MEDIANTE L'ACCESSORIO LINK BAR HDL10-HDL15-AS

## DIMENSIONI MASSIME DELL'ARRAY

## IL FLY BAR HDL

- 1 STAFFA DI SOSPENSIONE ANTERIORE. Montaggio anteriore.
  - 2 FORO PER IL PERNO DI BLOCCAGGIO RAPIDO. Montaggio anteriore (da utilizzare per bloccare la staffa anteriore prima del montaggio).
  - 3 STAFFA ANTERIORE - FORI PER IL TRASPORTO
  - 4 PUNTI DI SOLLEVAMENTO CENTRALI.
- 5 La staffa di sollevamento è asimmetrica ed è utilizzabile in due posizioni (A e B). La posizione A porta il moschettone verso la parte anteriore. La posizione B consente un passaggio intermedio utilizzando gli stessi fori di fissaggio.
- 6 Spostare la staffa di sollevamento nella posizione suggerita da RCF Shape Designer.
- 7 Fissare la staffa di sollevamento con i due perni sulla corda della staffa per bloccare il sollevamento.

### IL FLY BAR HDL PRESENTA:



- 8 Controllare che tutti i perni siano fissati e bloccati.

Seguire la procedura seguente per fissare il sistema:

- H PARANCO CON CATENA DI FISSAGGIO.
- S MOSCHETTONE CERTIFICATO.
- F BARRA DI SOSPENSIONE.

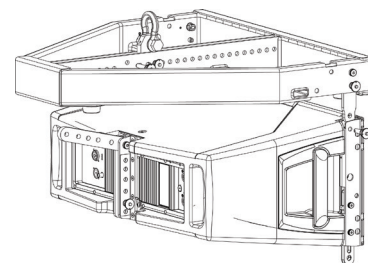
1) Collegare la barra di sospensione F al paranco con catena di fissaggio H (o ai motori) utilizzando il moschettone certificato. Fissare il moschettone.

2) Collegare il secondo perno sulla staffa anteriore per accertarsi che la staffa di collegamento sia in posizione verticale.

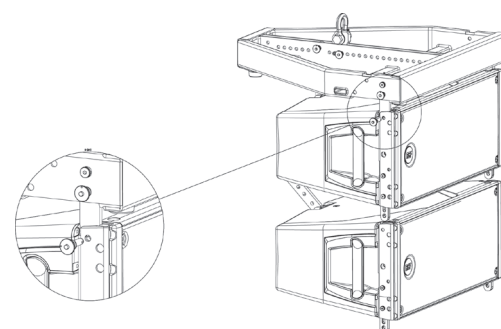
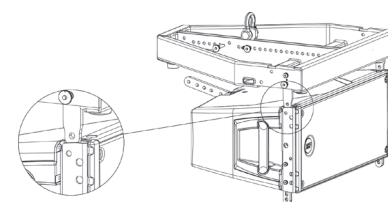
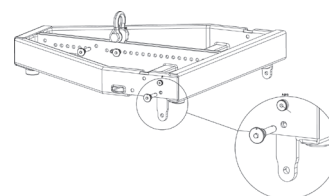
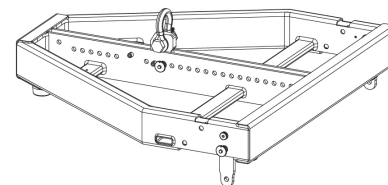
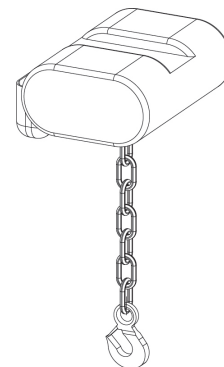
3) Collegare la staffa anteriore al primo diffusore HDL utilizzando 2 perni a bloccaggio rapido.

È POSSIBILE UTILIZZARE LA BARRA DI SOSPENSIONE HDL 20 LIGHT (P.N. 13360229) PER COLLEGARE UN MASSIMO DI 4 MODULI HDL 20-A.

È POSSIBILE UTILIZZARE LA BARRA DI SOSPENSIONE HDL 10 LIGHT (P.N. 13360276) PER COLLEGARE UN MASSIMO DI 6 MODULI HDL 10-A.



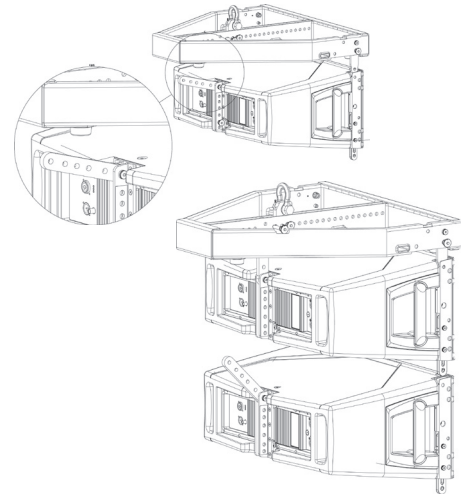
## PROCEDURA DI SOSPENSIONE



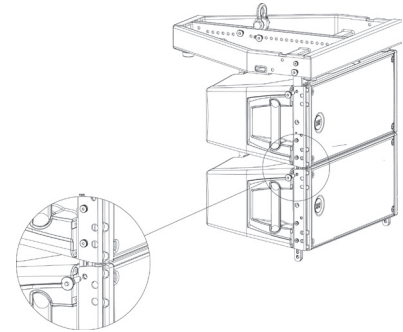
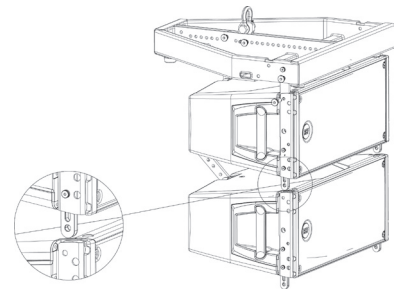


4) Invertire e collegare la staffa posteriore 1 alla barra di sospensione utilizzando 2 perni di bloccaggio rapido.

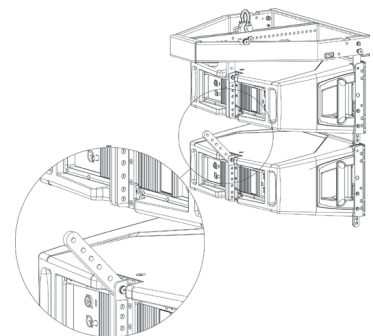
Il primo HDL deve essere fissato sempre partendo a 0° rispetto al telaio. Non sono permesse altre angolazioni.



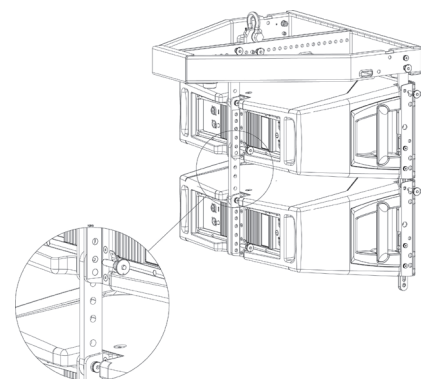
5) Collegare il secondo diffusore al primo sempre partendo dalle 2 staffe anteriori.



6) invertire e collegare la staffa posteriore del secondo diffusore utilizzando il foro per l'angolazione corretta.



7) Collegare tutti gli altri diffusori seguendo la stessa procedura e operando su un diffusore per volta.



La serie HDL consente agli utenti di scegliere tra svariate regolazioni angolari, per creare gruppi di diffusori con curvatura variabile. Pertanto i progettisti possono creare gruppi su misura, adatti alle caratteristiche di qualsiasi ambiente.

L'approccio base per la progettazione di gruppi dipende da tre fattori:

- Numero di elementi del gruppo;
- Angoli di copertura verticale;
- Copertura orizzontale.

Determinare il numero di elementi da utilizzare è un fattore cruciale: il numero di elementi influenza notevolmente l'SPL ottenibile dal sistema, così come l'uniformità della copertura in termini di risposta in frequenza e SPL. Il numero di elementi influisce fortemente sulla direttività alle basse frequenze.

La semplice equazione che segue è un'approssimazione per le superfici di ascolto piane.

Copertura (x)  $\approx$  8n (m) Distanza di copertura richiesta = x (metri).

La modifica degli angoli di apertura tra i cabinet ha un impatto significativo sulla copertura verticale per le alte frequenze, con il risultato che angoli di apertura verticale più stretti causano un fascio verticale a Q maggiore, mentre un'apertura più ampia riduce il Q alle alte frequenze. In generale gli angoli di apertura non influiscono sulla copertura verticale alle basse frequenze.

La progettazione di sistemi di gruppi con curvatura si può riassumere come segue:

- HDL a fronte piano per sezioni a lunga distanza;
- aumento della curvatura al diminuire della distanza;
- aggiunta di ulteriori diffusori per un maggior livello sonoro.

Questo approccio concentra più trasduttori sulle lunghe distanze, nei punti più lontani, riducendo gradualmente il numero di trasduttori al diminuire della distanza. Se viene rispettata una progressione regolare di angoli, i gruppi realizzati secondo questi principi forniranno un SPL uniforme e un carattere del suono coerente in tutto l'ambiente, senza la necessità di elaborazioni complesse. Questo approccio, in cui la stessa quantità di energia acustica viene distribuita su un angolo verticale più grande o più piccolo in base alla portata richiesta, ha solitamente i seguenti scopi:

- coperture orizzontale e verticale uniformi;
- SPL uniforme;
- risposta in frequenza uniforme;
- SPL sufficiente per l'applicazione.

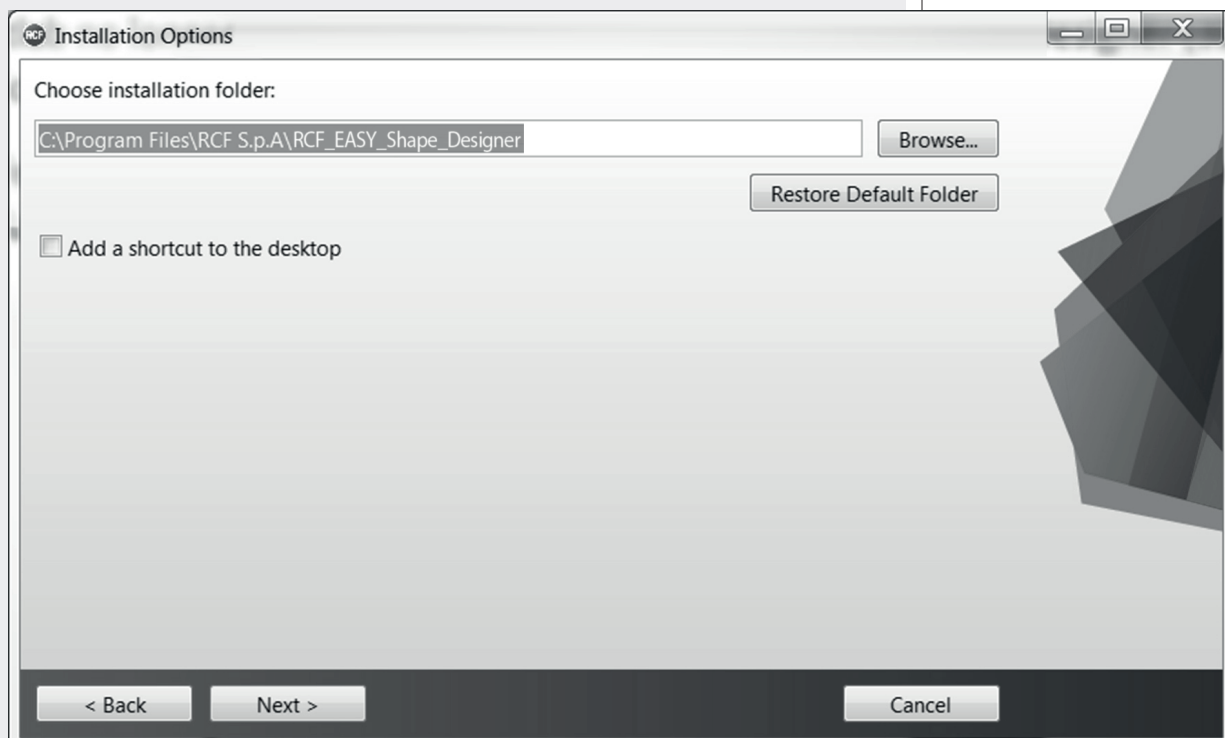
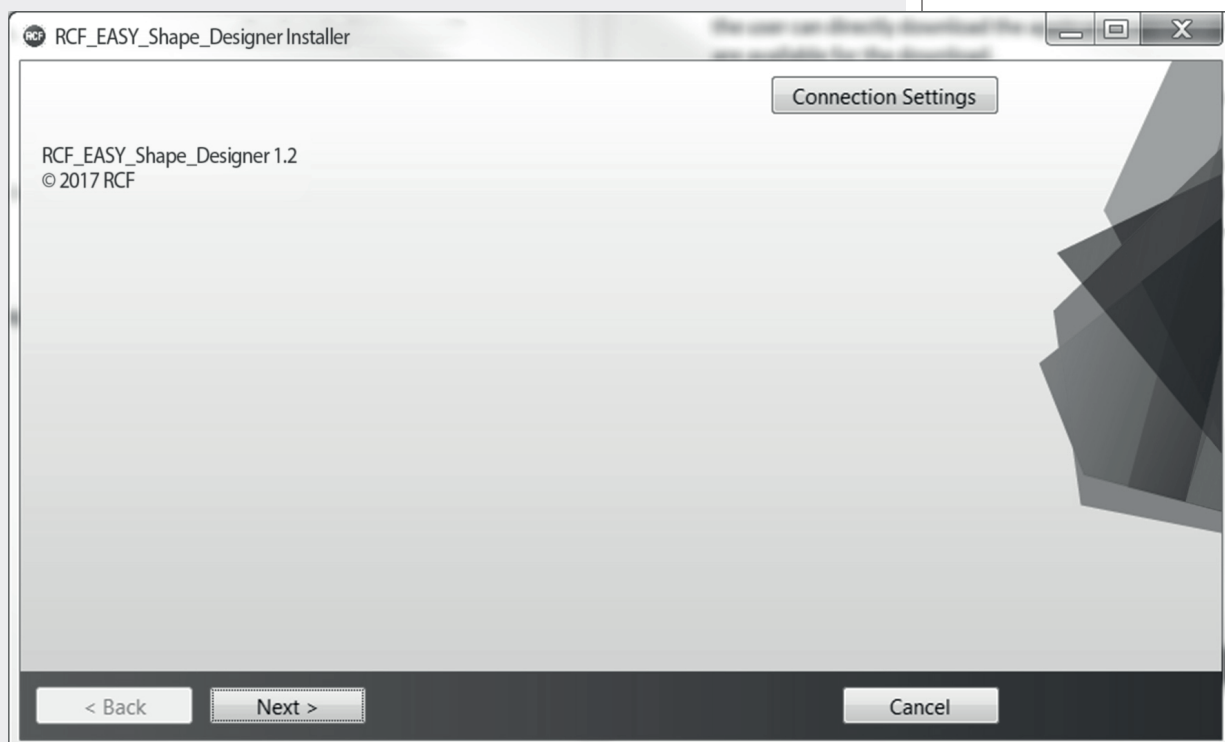
Naturalmente questa discussione è un approccio base. Data la quantità infinita di ambienti e di utilizzatori, gli utenti dovranno risolvere problemi specifici in situazioni particolari. Il software RCF Shape Designer programmato per il calcolo degli angoli di apertura ottimali, degli angoli di puntamento e dei punti di appoggio sul graticcio della barra di sospensione (fondamentali per il posizionamento del gruppo) per un dato ambiente, sarà illustrato in seguito in questa guida.

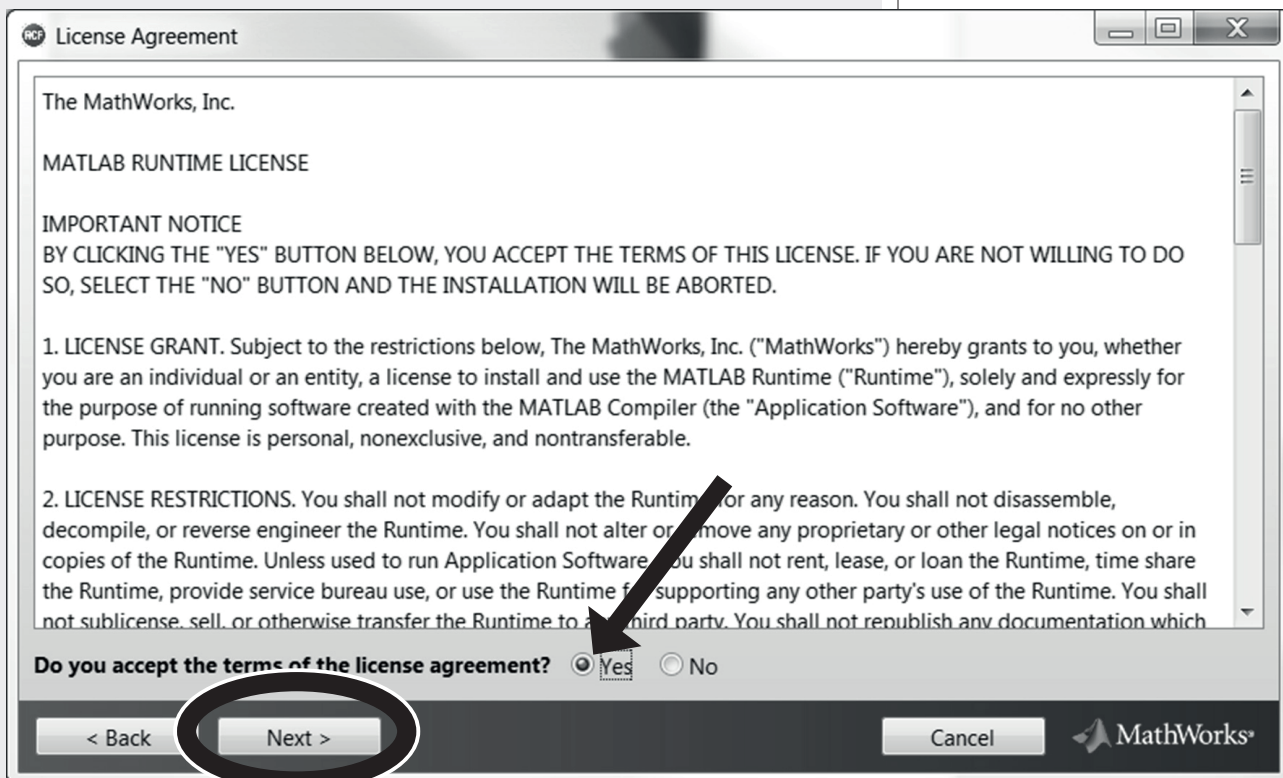
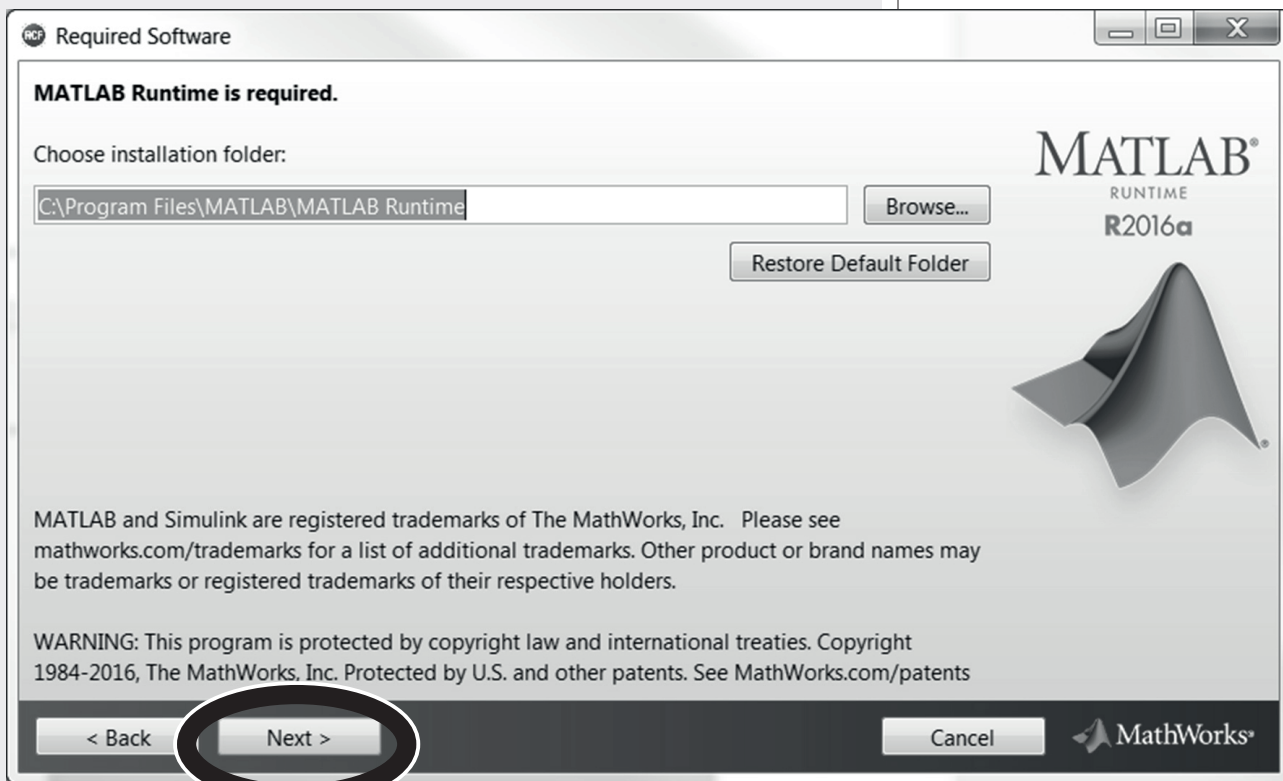
Il software è stato sviluppato con Matlab 2016b e richiede librerie di programmazione Matlab. Alla prima installazione l'utente deve fare riferimento al pacchetto di installazione, disponibile sul sito Web RCF, contenente Matlab Runtime (ver. 9) o il pacchetto di installazione che scaricherà l'eseguibile dal Web. Una volta installate correttamente le librerie, per tutte le seguenti versioni del software l'utente può scaricare direttamente l'applicazione senza il Runtime.

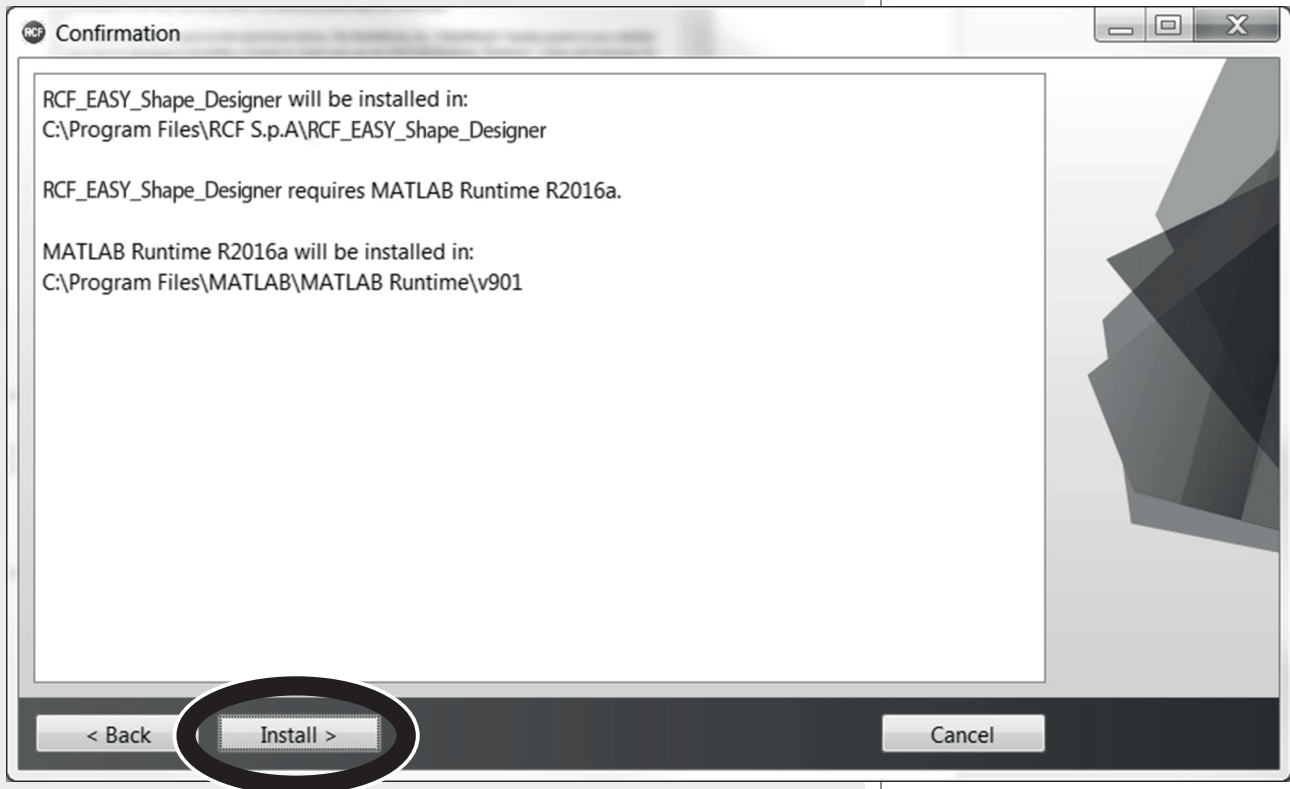
**IMPORTANTE:** Matlab non supporta più Windows XP e quindi RCF Easy Shape Designer (32 bit) non funziona con questa versione del sistema operativo.

Potrebbe essere necessario dover attendere qualche secondo dopo il doppio clic sul file di installazione perché il software deve controllare se sono disponibili librerie Matlab.

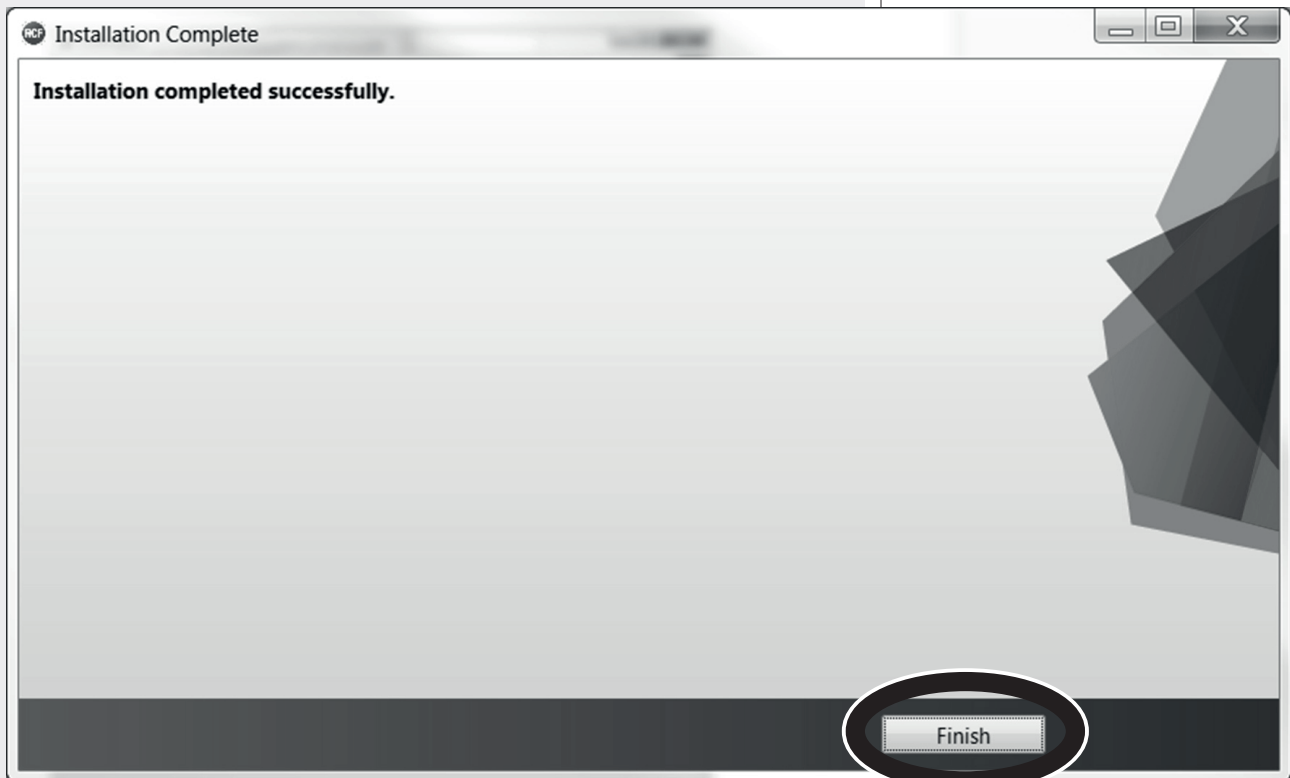
Dopo questo passaggio inizia l'installazione. Fare doppio clic sull'ultimo programma di installazione (controllare l'ultima versione nella sezione download del nostro sito Web) e seguire i passaggi successivi.







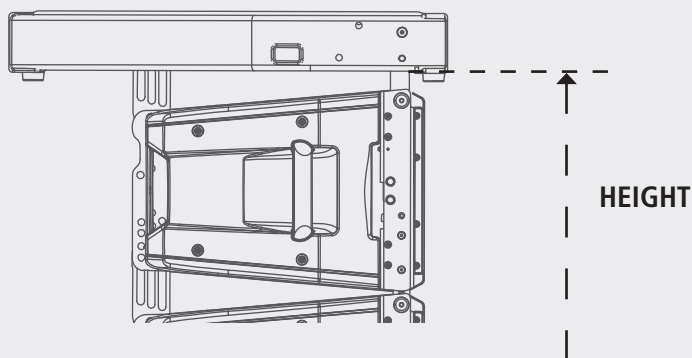
Dopo aver scelto le cartelle per il software RCF Easy Shape Designer (Figura 2) e Matlab Libraries Runtime, l'installer impiegherà un paio di minuti per la procedura di installazione.



Il software RCF Easy Shape Designer è diviso in due macro sezioni: la parte sinistra dell'interfaccia è dedicata alle variabili e ai dati del progetto (dimensioni dell'area da coprire, altezza, numero di moduli, ecc.), la parte destra mostra i risultati dell'elaborazione. All'inizio l'utente dovrebbe introdurre i dati relativi all'audience scegliendo il menu a comparsa appropriato in base alle dimensioni dell'area da coprire e introducendone i dati geometrici. È anche possibile definire l'altezza dell'ascoltatore.

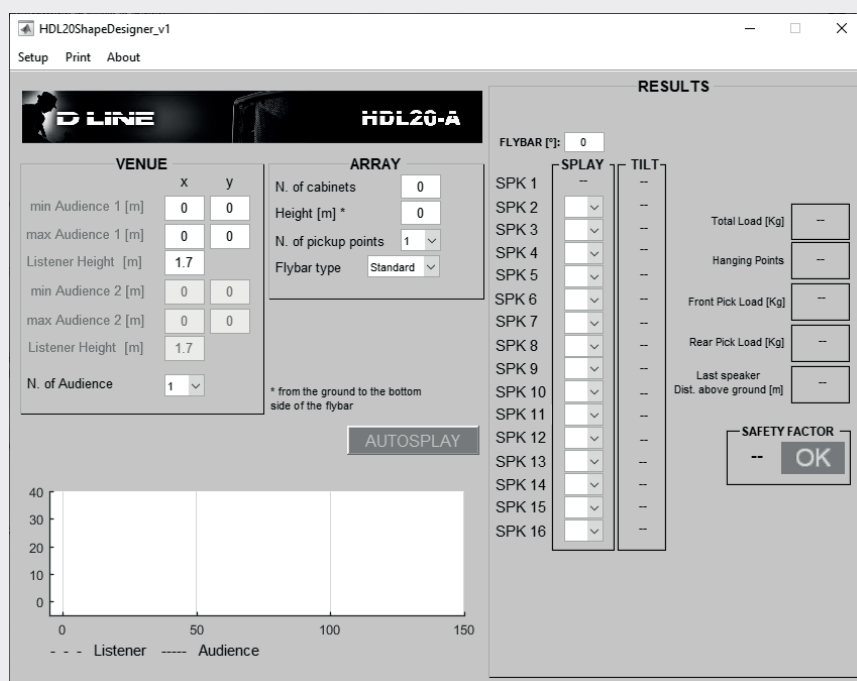
Il secondo passo è la definizione dell'array selezionando il numero di moduli che lo compongono, l'altezza di sospensione, il numero di punti di sospensione e il tipo di flybar tra quelli disponibili. Quando si selezionano due punti di sospensione, considerare i punti posizionati agli estremi del flybar.

L'altezza dell'array deve essere considerata riferita alla parte inferiore del flybar, come mostrato nella figura sotto.



Dopo aver inserito tutti i dati nella parte sinistra dell'interfaccia utente, premendo il pulsante AUTOSPLAY il software calcolerà:

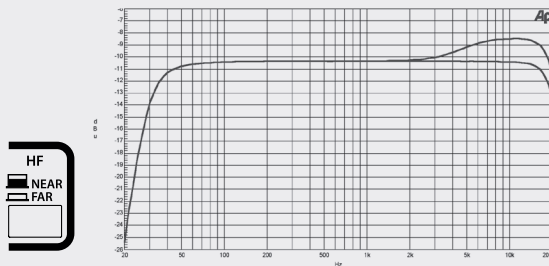
- Il punto di sospensione per l'ancoraggio con posizione A o B se è selezionato un singolo punto di appendamento; carico posteriore e anteriore se sono selezionati due punti di appendamento.
- L'angolo di inclinazione del flybar e l'apertura tra i vari moduli (angoli che dovranno essere impostati su ciascun modulo prima delle operazioni di sollevamento).
- L'inclinazione che ogni modulo assumerà (nel caso di un punto di appendamento) o dovrà assumere se dovessimo inclinare il cluster con l'uso di due motori (due punti di sospensione).
- Il calcolo del carico totale e del fattore di sicurezza: se l'impostazione selezionata non fornisce il fattore di sicurezza > 1,5, il messaggio di testo mostrerà in rosso il mancato rispetto delle condizioni minime di sicurezza meccanica.
- I preset delle basse frequenze (un preset singolo per tutto l'array) mediante l'uso di RDNet o tramite l'uso della manopola del pannello posteriore ("Local").
- I preset delle alte frequenze (un preset per ogni modulo array) mediante l'uso di RDNet o tramite l'uso della manopola del pannello posteriore ("Local").



Una volta finita la progettazione (numero di elementi e angoli di apertura verticale) tramite il software Shape Designer, è possibile ottimizzare realmente l'array in base all'ambiente e all'uso, tramite le molteplici impostazioni DSP memorizzate. Gli array sono solitamente suddivisi in due o tre zone, in base al progetto e alle dimensioni dell'array stesso. Per ottimizzare ed equalizzare l'array vengono utilizzate differenti strategie per le alte frequenze (gittate lunghe o corte) e per le basse frequenze.

Maggiore è la distanza, più alta sarà l'attenuazione alle alte frequenze. Generalmente le alte frequenze necessitano di una correzione per compensare l'energia perduta lungo il loro percorso; la correzione necessaria di solito è proporzionale alla distanza e all'assorbimento delle alte frequenze causato dall'aria. Per le distanze da brevi a medie, l'assorbimento dell'aria non è quasi rilevante, in queste aree le alte frequenze necessitano di una piccola correzione aggiuntiva.

La figura seguente mostra l'equalizzazione corrispondente alle impostazioni HF per NEAR e FAR:



Mentre tramite le onde è possibile controllare parti isolate delle svariate aree di copertura da media ad alta frequenza, la sezione in bassa frequenza di un gruppo HDL richiede ancora un accoppiamento reciproco, con la stessa ampiezza e la stessa fase, per ottenere un direzionamento migliore. Il direzionamento in bassa frequenza dipende meno dagli angoli di apertura relativi del gruppo e di più dal numero di elementi del gruppo.

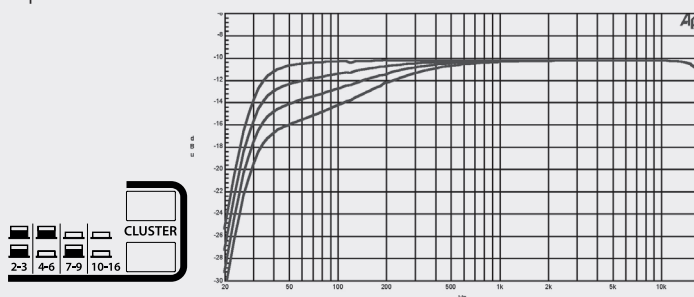
Alle basse frequenze, più elementi ci sono nel gruppo (più è lungo il gruppo), più questo diventa direzionale, fornendo più SPL in questo intervallo. Il controllo direzionale del gruppo si ottiene quando la lunghezza dello stesso è simile o maggiore della lunghezza d'onda delle frequenze riprodotte dal gruppo.

Anche se il gruppo può (e solitamente deve) essere suddiviso in zone per realizzare diverse curve di equalizzazione per le alte frequenze, la stessa equalizzazione deve essere mantenuta con tutti i filtri a bassa frequenza.

Impostazioni di equalizzazione in bassa frequenza diverse nello stesso gruppo peggiorano l'effetto di accoppiamento desiderato. Per la stessa ragione, non sono consigliate differenze di guadagno per gruppi in linea, poiché regolando le varie aree con un controllo di ampiezza complessivo per ognuna causa una riduzione dell'altezza massima in bassa frequenza e del direzionamento.

In ogni caso i gruppi in linea solitamente necessitano di una correzione per compensare l'energia ai livelli bassi.

La figura seguente mostra l'equalizzazione corrispondente alle impostazioni del CLUSTER, con riferimento a varie quantità di diffusori, da 2-3 fino a 10-16. Aumentando il numero degli cabinet le curve di risposta diminuiscono per compensare l'accoppiamento reciproco della sezione in bassa frequenza.



## STRATEGIE DI EQUALIZZAZIONE DELLE ALTE FREQUENZE

## EFFETTO DI ACCOPPIAMENTO DELLE BASSE FREQUENZE

## STRATEGIE PER LE BASSE FREQUENZE



## HDL10-A & HDL20-A POSIZIONATI A TERRA

I diffusori HDL possono essere impilati sopra ai subwoofer RCF con i relativi accessori.

Subwoofer compatibili con HDL 20-A:

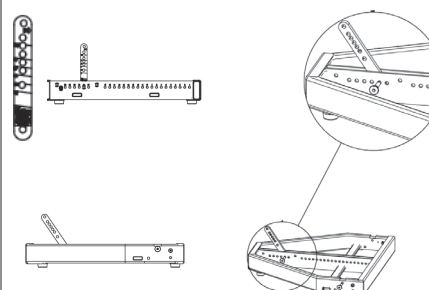
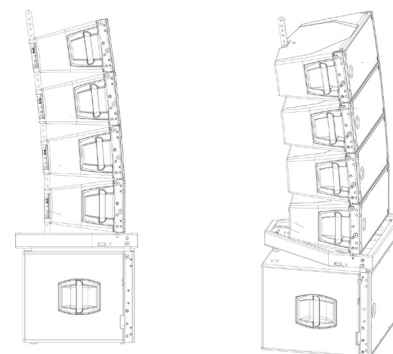
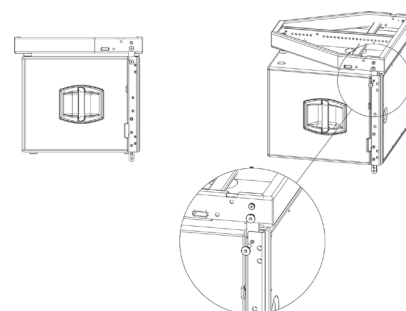
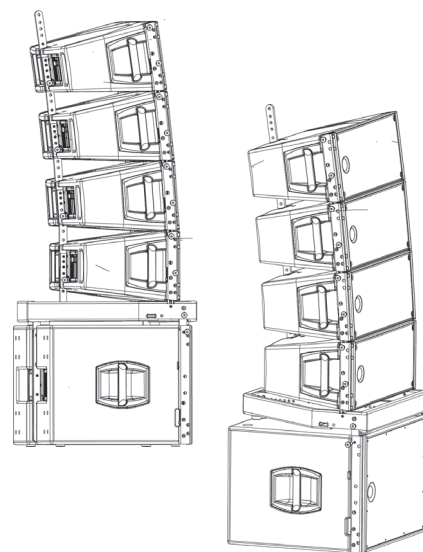
- SUB 8004-AS
- SUB 8006-AS
- HDL 18-AS

Subwoofer compatibili con HDL 10-A:

- SUB 8004-AS
- SUB 8006-AS
- HDL 15-AS

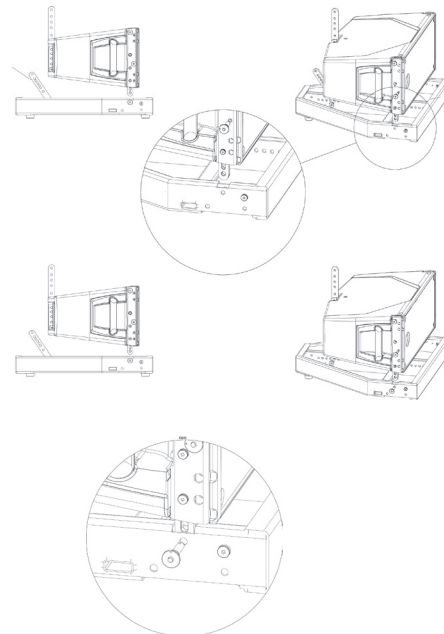
1) Fissare la barra di sospensione HDL sui subwoofer come illustrato nella figura.

2) La stacking bar aggiunge un valore fisso all'angolo di inclinazione del blocco di diffusori HDL. Il valore dell'angolo di regolazione può variare da  $+7,5^\circ$  a  $-7,5^\circ$ .

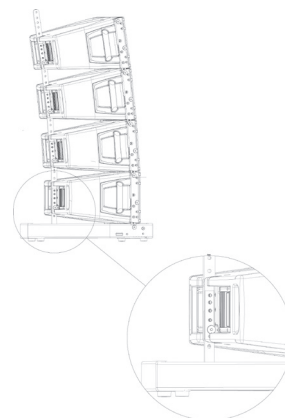




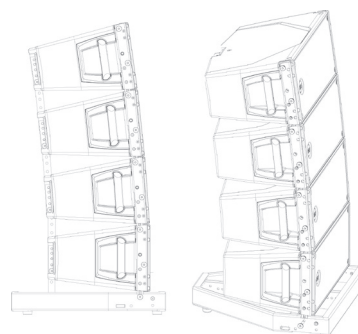
3) Collegare la staffa anteriore del primo diffusore HDL utilizzando 2 perni a bloccaggio rapido.



4) La parte frontale del diffusore inferiore in un array a stacking non deve essere necessariamente parallelo al palco o al telaio. Se necessario può essere inclinato verso l'alto o verso il basso. In questo modo gli array ad arco possono essere realizzati rapidamente da una posizione di fissaggio a terra.

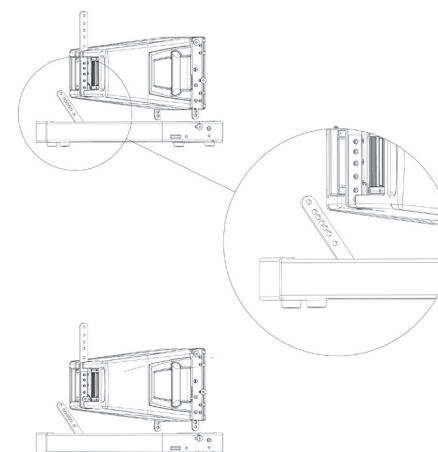


5) Il diffusore inferiore in un array a stacking può essere inclinato per poter scegliere l'area di copertura adeguata (da +7,5 a -7,5). Per il montaggio si posiziona la prima cassa sopra al ply bar e si collega adesso con lo stacking bar, scegliendo l'opportuno angolo di inclinazione. Il tutto viene infine bloccato usando i pin a corredo.



In seguito aggiungere i diffusori HDL uno a uno come indicato per le configurazioni sospese. Possono essere impilati e interconnessi fino a quattro diffusori HDL, utilizzando i componenti di fissaggio D-LINE standard e i subwoofer D-LINE come piano di appoggio.

6) È possibile impilare i diffusori HDL sul pavimento utilizzando la relativa stacking bar come illustrato nelle figure.







	<b>HDL 20-A</b>	<b>HDL 10-A</b>
<b>ACOUSTICAL</b>		
<b>Frequency response</b>	55 Hz - 20 kHz	65 Hz - 20 kHz
<b>Max SPL</b>	135 dB	133 dB
<b>Horizontal Coverage angle</b>	100°	100°
<b>Vertical Coverage angle</b>	15° max	15° max
<b>Compression Driver</b>	2" , 3.0" voice coil	2" , 2.5" voice coil
<b>Midrange</b>	-	-
<b>Woofer</b>	2x10" , 2.5" voice coil	2x8" , 2.0" voice coil
<b>INPUT SECTION</b>		
<b>Input connector</b>	XLR-JACK	XLR-JACK
<b>Output connector</b>	XLR	XLR
<b>Input sensitivity</b>	-2 dBu / +4 dBu	-2 dBu / +4 dBu
<b>PROCESSOR SECTION</b>		
<b>Crossover frequencies</b>	800 Hz	800 Hz
<b>Protections</b>	Thermal, RMS	Thermal, RMS
<b>Limiter</b>	Soft limiter	Soft limiter
<b>Controls</b>	Cluster, HF, High Curving, Indoor	Cluster, HF, High Curving, Indoor
<b>AMPLIFIER</b>		
<b>Total power</b>	1400 W Peak, 700 W RMS	1400 W Peak, 700 W RMS
<b>High frequencies</b>	200 W RMS	200 W RMS
<b>Low frequencies</b>	500 W RMS	500 W RMS
<b>Cooling</b>	Convection	Convection
<b>Connection</b>	Powercon Connector in Powercon Connector link	Powercon Connector in Powercon Connector link
<b>PHISICAL</b>		
<b>Height</b>	294 mm (11.5")	294 mm (11.5")
<b>Width</b>	705 mm (27.7")	569 mm (22.4")
<b>Depth</b>	445 mm (17.5")	434 mm (17.09")
<b>Weight</b>	30,2 Kg (66.57 lbs)	20.4 Kg (44.9 lbs)
<b>Cabinet</b>	Composite PP	Composite PP
<b>Hardware</b>	Rigging flyware	Rigging flyware
<b>Handles</b>	2 side	2 side



[www.rcf.it](http://www.rcf.it)

**RCF S.p.A.**

Via Raffaello Sanzio, 13  
42124 Reggio Emilia - Italy  
Tel +39 0522 274 411  
Fax +39 0522 232 428  
e-mail: [info@rcf.it](mailto:info@rcf.it)