

EQUINOX

Colour Raider Lithium Battery Uplighter Pack

User Manual



Order code:

Black Housing - EQLED039

Chrome Housing - EQLED039A

WARNING

FOR YOUR OWN SAFETY, PLEASE READ THIS USER MANUAL CAREFULLY BEFORE YOUR INITIAL START-UP!

- Before your initial start-up, please make sure that there is no damage caused during transportation.
- Should there be any damage, consult your dealer and do not use the equipment.
- To maintain the equipment in good working condition and to ensure safe operation, it is necessary for the user to follow the safety instructions and warning notes written in this manual.
- Please note that damages caused by user modifications to this equipment are not subject to warranty.



IMPORTANT:

The manufacturer will not accept liability for any resulting damages caused by the non-observance of this manual or any unauthorised modification to the equipment.

- Never let the power cable come into contact with other cables. Handle the power cable and all mains voltage connections with particular caution!
- Never remove warning or informative labels from the unit.
- Do not open the equipment and do not modify the unit.
- Do not connect this equipment to a dimmer pack.
- Do not switch the equipment on and off in short intervals, as this will reduce the system's life.
- Only use the equipment indoors.
- Do not expose to flammable sources, liquids or gases.
- Always disconnect the power from the mains when equipment is not in use or before cleaning! Only handle the power-cable by the plug. Never pull out the plug by pulling the power-cable.
- Make sure that the available mains supply voltage is between 100~240V AC, 50/60Hz.
- Please note: Battery fuse must be fitted before use.
- Only use fuses of same type and rating.
- Make sure that the power cable is never crimped or damaged. Check the equipment and the power cable periodically.
- If the equipment is dropped or damaged, disconnect the mains power supply immediately and have a qualified engineer inspect the equipment before operating again.
- Repairs, servicing and power connection must only be carried out by a qualified technician. THIS UNIT CONTAINS NO USER SERVICEABLE PARTS.
- If the equipment has been exposed to drastic temperature fluctuation (e.g. after transportation), do not connect power or switch it on immediately. The arising condensation might damage the equipment. Leave the equipment switched off until it has reached room temperature.
- If your product fails to function correctly, stop use immediately. Pack the unit securely (preferably in the original packing material), and return it to your Pro Light dealer for service.
- This lighting fixture is for professional use only - it is not designed for or suitable for household use. The product must be installed by a qualified technician in accordance with local territory regulations. The safety of the installation is the responsibility of the installer. The fixture presents risks of severe injury or death due to fire hazards, electric shock and falls.
- Warning! Risk Group 2 LED product according to EN 62471. Do not view the light output with optical instruments or any device that may concentrate the beam.
- WARRANTY: One year from date of purchase.
- Please note: Batteries are deemed consumable items which are warrantied against manufacturer defects for 90 days from date of purchase. Batteries have limited recharge cycles and may eventually need to be replaced by a Prolight authorised service centre. Battery life and charge cycles vary by usage and settings. Battery performance in service may be subject to a number of factors including temperature, battery age and power draw.

OPERATING DETERMINATIONS

If this equipment is operated in any other way, than those described in this manual, the product may suffer damage and the warranty becomes void. Incorrect operation may lead to danger e.g: short-circuit, burns and electric shocks etc.

Do not endanger your own safety and the safety of others!

Incorrect installation or use can cause serious damage to people and/or property.

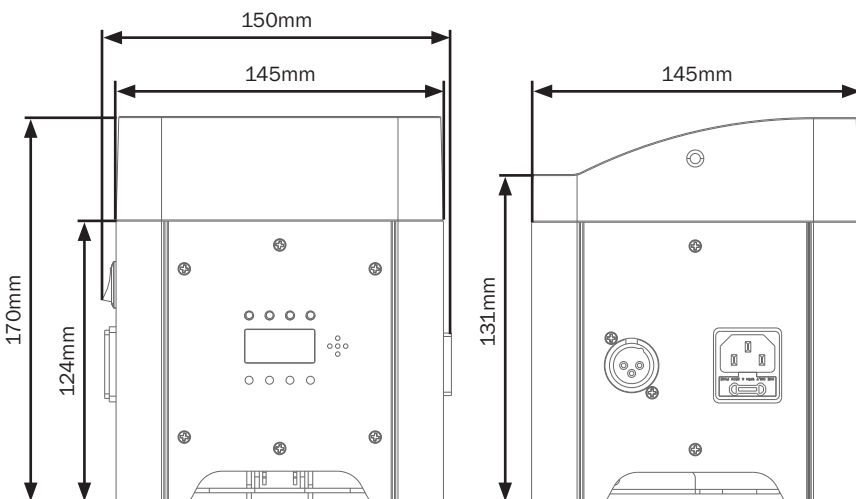
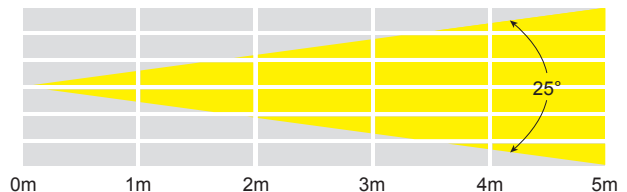
Colour Raider Lithium Battery Uplighter Pack

Versatile and lightweight, the Colour Raider Lithium pack includes 4 portable battery powered uplighters ideal for uplighting walls, features and facades. The housing design incorporates a snoot to stop glare and a sit flat carry handle. The internal lithium battery has autonomy of up to 12 hours in single colour mode and up to 8 hours of colour fading and chases, while the charging time is only 5 hours. The light source is composed of 4 x 6W quad-colour RGBW LEDs and the extractable foot allows you to adjust the tilt angle. The on-board wireless DMX transceiver makes for a truly cable free operation and is W-DMX compatible.

- 4 x 6W quad-colour LEDs (RGBW)
- Beam angle: 25°
- 819 Lux @ 2m (full on)
- DMX channels: 2/3/4/4 or 8 selectable
- Wireless control (W-DMX Sweden compatible transceiver)
- Static colour, colour change, colour fade, auto run, sound active and master/slave modes
- Master/slave mode when cabled
- 0-100% dimming and variable strobe
- M10 rigging point for clamp
- Adjustable foot support for angled floor standing applications (up to 25°)
- Carry handle for transportation
- 4 push button menu with LED display
- Rechargeable battery for wireless applications
- Maximum run time: up to 12 hours (single colour), 8 hours (colour change/fade), 4 hours (full on)*
- Charging time: 5 hours (max.)
- IEC power input/output
- 3-Pin XLR input/output
- Convection cooled
- Supplied with IR remote

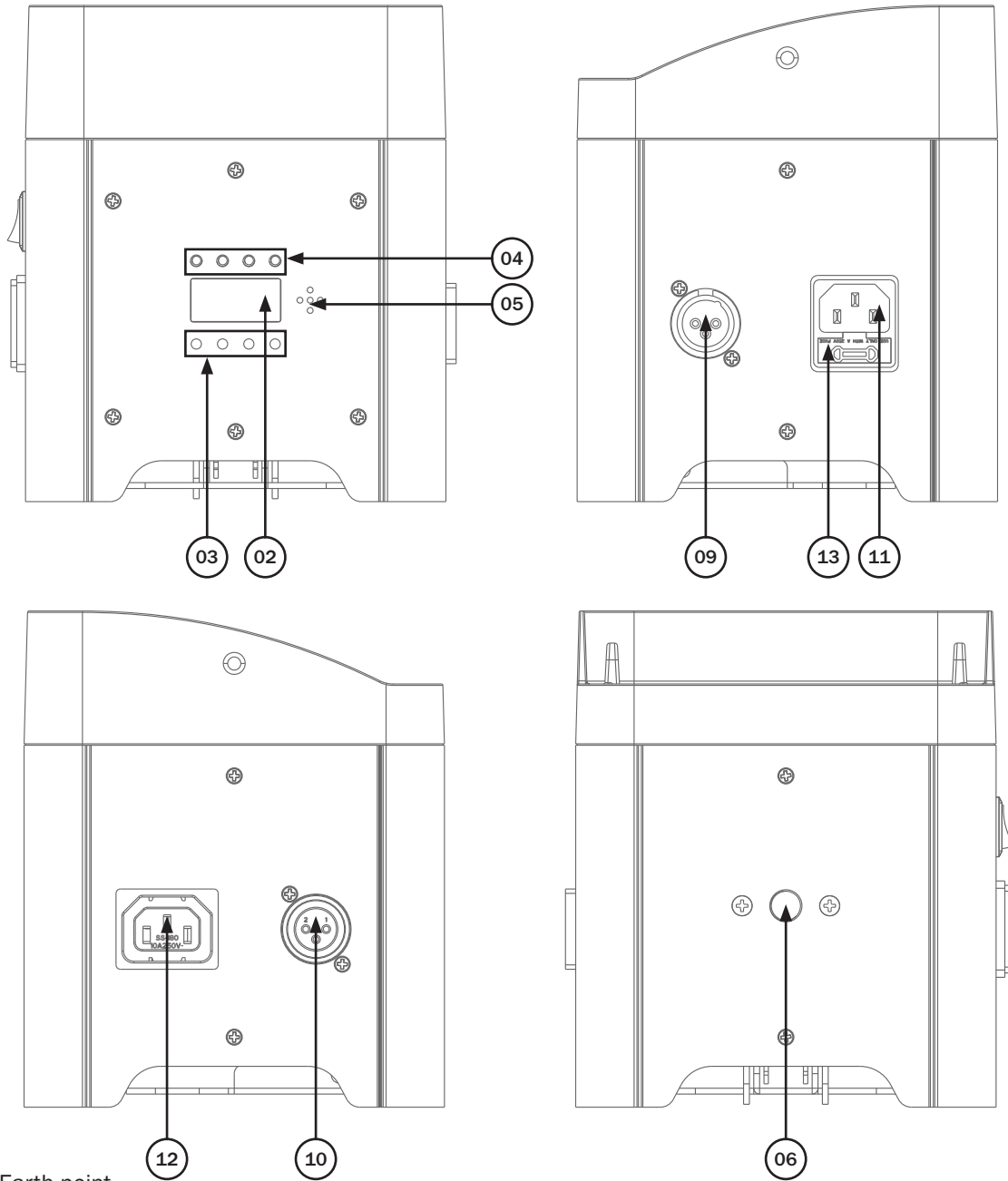


25° - Lux					
FULL ON	3276	819	364	204	131
R	915	228	101	57.2	36.6
G	1436	359	159	89.7	57.4
B	313	78.3	34.8	19.5	12.5
W	1452	363	161	90.7	58.1

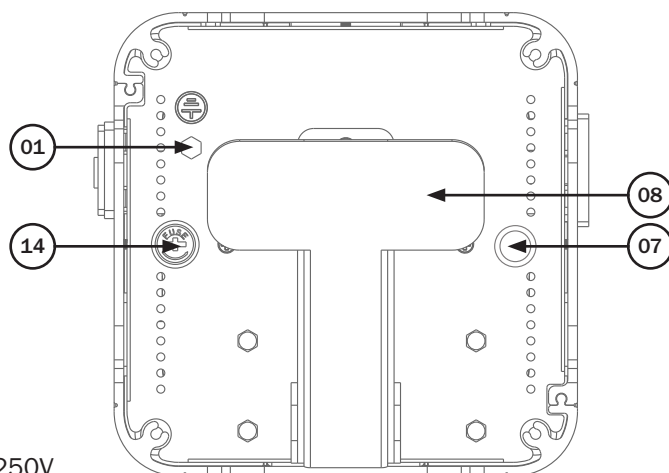


Specifications	Colour Raider Lithium Battery Uplighter Pack
Power consumption	28W
Power supply	100~240V, 50/60Hz
Fuse	T1A 250V
Battery	11.1V 4400mAh
Battery fuse	T2.5A 250V
Uplighter dimensions	170 x 150 x 145mm
Uplighter weight	1.9kg
Pack dimensions	200 x 340 x 410mm
Pack weight	8.8kg
Order codes	Black housing - EQLED039 Chrome housing - EQLED039A

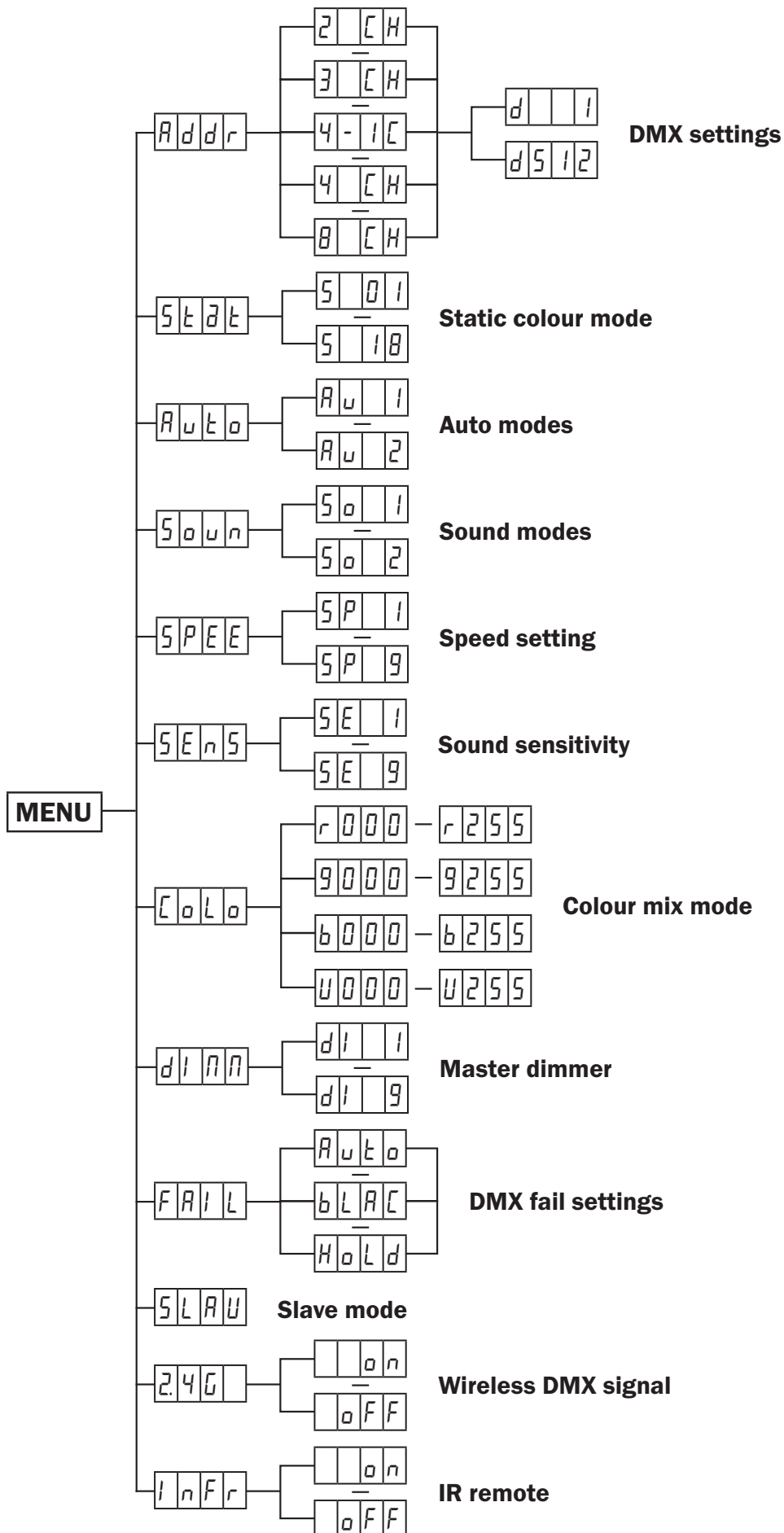
*battery life subject to usage and the temperature where the fixture is situated.
Please note: Battery fuse must be fitted before use.



- 01 - Earth point
- 02 - LED display
- 03 - Function buttons
- 04 - Charge indicator
- 05 - Microphone
- 06 - M10 rigging point
- 07 - On/off switch
- 08 - Adjustable foot
- 09 - 3-Pin DMX input
- 10 - 3-Pin DMX output
- 11 - IEC power input
- 12 - IEC power output
- 13 - Fuse T1A 250V
- 14 - Battery fuse T2.5A 250V



In the box:
4 x fixtures,
4 x power cables,
1 x carry bag &
1 x IR remote



DMX mode:

Operating in a DMX control mode environment gives the user the greatest flexibility when it comes to customising or creating a show. In this mode you will be able to control each individual trait of the fixture and each fixture independently.

To access the DMX mode, press the “**MENU**” button and use the “**UP**” and “**DOWN**” buttons to show *Addr* on the LED display. Now press the “**ENTER**” button and use the “**UP**” and “**DOWN**” buttons to choose one of the 2/3/4/4 or 8 DMX channel modes.

Press the “**ENTER**” button to confirm the setting. The display will now show *0001* on the LED display.

Press the “**ENTER**” button and use the “**UP**” and “**DOWN**” buttons to set the required DMX address.

Press the “**ENTER**” button to confirm the setting.

To exit out of any of the above options, press the “**MENU**” button.

2 channel mode:

Channel	Value	Function
CH1	000-009	No function
	010-019	Red
	020-029	Green
	030-039	Blue
	040-049	White
	050-059	Yellow
	060-069	Magenta
	070-079	Cyan
	080-089	Dark Orange
	090-099	Lime Green
	100-109	Salmon Pink
	110-119	Turquoise
	120-129	Mint Green
	130-139	Amber
	140-149	Straw Yellow
	150-159	Purple
	160-169	Light Blue
170-179	Dark Blue	
180-255	Light Pink	
CH2	000-009	No function
	010-069	Colour fade (speed slow-fast)
	070-129	Colour change (speed slow-fast)
	130-189	Colour fade sound active (sensitivity low-high)
	190-255	Colour change sound active (sensitivity low-high)

3 channel mode:

Channel	Value	Function
CH1	000-255	Red dimmer (0-100%)
CH2	000-255	Green dimmer (0-100%)
CH3	000-255	Blue dimmer (0-100%)

4-1 channel mode:

Channel	Value	Function
CH1	000-255	Red dimmer (0-100%)
CH2	000-255	Green dimmer (0-100%)
CH3	000-255	Blue dimmer (0-100%)
CH4	000-255	White dimmer (0-100%)

4 channel mode:

Channel	Value	Function
CH1	000-255	Master dimmer (0-100%)
CH2	000-009	No function
	010-255	Strobe (slow-fast)
CH3	000-009	No function
	010-019	Red
	020-029	Green
	030-039	Blue
	040-049	White
	050-059	Yellow
	060-069	Magenta
	070-079	Cyan
	080-089	Dark Orange
	090-099	Lime Green
	100-109	Salmon Pink
	110-119	Turquoise
	120-129	Mint Green
	130-139	Amber
	140-149	Straw Yellow
	150-159	Purple
CH4	160-169	Light Blue
	170-179	Dark Blue
	180-255	Light Pink
	000-009	No function
	010-069	Colour fade (speed slow-fast)
070-129	Colour change (speed slow-fast)	
130-189	Colour fade sound active (sensitivity low-high)	
190-255	Colour change sound active (sensitivity low-high)	

8 channel mode:

Channel	Value	Function
CH1	000-255	Master dimmer (0-100%)
CH2	000-009	No function
	010-255	Strobe (slow-fast)
CH3	000-255	Red (0-100%)
CH4	000-255	Green (0-100%)
CH5	000-255	Blue (0-100%)
CH6	000-255	White (0-100%)
CH7	000-009	No function
	010-019	Red
	020-029	Green
	030-039	Blue
	040-049	White
	050-059	Yellow
	060-069	Magenta
	070-079	Cyan
	080-089	Dark Orange
	090-099	Lime Green
	100-109	Salmon Pink
	110-119	Turquoise
	120-129	Mint Green
	130-139	Amber
	140-149	Straw Yellow
	150-159	Purple
CH8	160-169	Light Blue
	170-179	Dark Blue
	180-255	Light Pink
	000-009	No function
	010-069	Colour fade (speed slow-fast)
070-129	Colour change (speed slow-fast)	
130-189	Colour fade sound active (sensitivity low-high)	
190-255	Colour change sound active (sensitivity low-high)	

Wireless DMX operation:

To operate the fixture in wireless DMX you will need to connect the fixture to a W-DMX compatible wireless DMX Transmitter.

To turn wireless DMX on, press the “**MENU**” button and use the “**UP**” and “**DOWN**” buttons to show *2.4G* on the LED display. Now press the “**ENTER**” button and use the “**UP**” and “**DOWN**” buttons to select *ON*. Press the “**ENTER**” button to confirm the setting. The display will show 4 small dots chasing twice, this shows the Wireless DMX is being activated. Now put the unit into DMX mode and set the required DMX address and channel mode.

To pair the unit to the wireless DMX transmitter, press the pair button on the transmitter. The wireless DMX indicator will start flashing fast. Once the pair is successful a red dot in the bottom right of the display will flash.

To turn wireless DMX off, press the “**MENU**” button and use the “**UP**” and “**DOWN**” buttons to show *2.4G* on the LED display. Now press the “**ENTER**” button and use the “**UP**” and “**DOWN**” buttons to select *OFF*. Press the “**ENTER**” button to confirm the setting. The display will show 4 small dots chasing four times, this shows the Wireless DMX is being deactivated and wireless memory cleared. To exit out of any of the above options, press the “**MENU**” button.

Please note: The Wireless DMX Transmitter must be in G4 2.4GHz Mode.

Static colour mode:

To access the static colour mode, press the “**MENU**” button and use the “**UP**” and “**DOWN**” buttons to show *5t2t* on the LED display. Now press the “**ENTER**” button and use the “**UP**” and “**DOWN**” buttons to choose one of the static colours between *5 01 ~ 5 18*.

Press the “**ENTER**” button to confirm the setting.

To exit out of any of the above options, press the “**MENU**” button.

Colour macros:

01	Red
02	Green
03	Blue
04	White
05	Yellow

06	Magenta
07	Cyan
08	Dark Orange
09	Lime Green
10	Salmon Pink

11	Turquoise
12	Mint Green
13	Amber
14	Straw Yellow
15	Purple

16	Light Blue
17	Dark Blue
18	Light Pink

Auto modes:

To access the auto modes, press the “**MENU**” button and use the “**UP**” and “**DOWN**” buttons to show *AUTO* on the LED display. Now press the “**ENTER**” button and use the “**UP**” and “**DOWN**” buttons to choose one of the auto modes between *AU 1 ~ AU 2*.

Press the “**ENTER**” button to confirm the setting.

To exit out of any of the above options, press the “**MENU**” button.

AU 1 - Colour Fade

AU 2 - Colour Change

Sound modes:

To access the sound modes, press the “MENU” button and use the “UP” and “DOWN” buttons to show *SOUND* on the LED display. Now press the “ENTER” button and use the “UP” and “DOWN” buttons to choose one of the sound modes between *SO 1* ~ *SO 2*.

Press the “ENTER” button to confirm the setting.

To exit out of any of the above options, press the “MENU” button.

SO 1 - Colour Fade

SO 2 - Colour Change

Speed setting:

To access the speed setting for auto and sound modes, press the “MENU” button and use the “UP” and “DOWN” buttons to show *SPEED* on the LED display. Now press the “ENTER” button and use the “UP” and “DOWN” buttons to select between *SP 1* ~ *SP 9*.

Press the “ENTER” button to confirm the setting.

To exit out of any of the above options, press the “MENU” button.

Sound sensitivity:

To access the sound sensitivity setting, press the “MENU” button and use the “UP” and “DOWN” buttons to show *SENS* on the LED display. Now press the “ENTER” button and use the “UP” and “DOWN” buttons to select the sound sensitivity between *SE 1* ~ *SE 9*.

Press the “ENTER” button to confirm the setting.

To exit out of any of the above options, press the “MENU” button.

Colour mix mode:

To access the colour mix mode, press the “MENU” button to show *COL* on the LED display.

Now press the “ENTER” button and use the “UP” and “DOWN” buttons to choose *r 001*.

Press the “ENTER” button and use the “UP” and “DOWN” buttons to select the brightness of Red between *000* ~ *255*. Value: 000 - 255 (000 = LEDs off, 255 = high).

Now press the “ENTER” button and repeat for *g* Green, *b* Blue and *u* White.

Press the “ENTER” button to confirm the setting.

To exit out of any of the above options, press the “MENU” button.

Master dimmer:

To access the master dimmer setting, press the “MENU” button and use the “UP” and “DOWN” buttons to show *dim* on the LED display. Now press the “ENTER” button and use the “UP” and “DOWN” buttons to select the brightness between *di 1* ~ *di 9*.

Press the “ENTER” button to confirm the setting.

To exit out of any of the above options, press the “MENU” button.

Please note: this overrides the brightness for static colour, auto, sound and colour mix modes.

DMX fail:

To access the DMX fail setting, press the “**MENU**” button and use the “**UP**” and “**DOWN**” buttons to show *F A I L* on the LED display. Now press the “**ENTER**” button and use the “**UP**” and “**DOWN**” buttons to select between *A U T O* (auto mode), *b L A C* (blackout) or *H O L d* (hold last DMX command).

Press the “**ENTER**” button to confirm the setting.

To exit out of any of the above options, press the “**MENU**” button.

Master/slave mode:

To set the master unit, press the “**MENU**” button and use the “**UP**” and “**DOWN**” buttons to select one of the program modes.

To set the other units in slave mode, press the “**MENU**” button and use the “**UP**” and “**DOWN**” buttons to show *S L A V E* on the LED display. Press the “**ENTER**” button to confirm the setting.

The unit will now run in sequence with the master unit.

To exit out of any of the above options, press the “**MENU**” button.

Please ensure that all slave units are set to the same DMX channel mode as the master unit.

Wireless master/slave operation:

To set the units into wireless master/slave first turn wireless DMX on. Press the “**MENU**” button and use the “**UP**” and “**DOWN**” buttons to show *2.4G* on the LED display. Now press the “**ENTER**” button and use the “**UP**” and “**DOWN**” buttons to select *o F F*, press the “**ENTER**” button to confirm and this will clear the wireless memory. Press the “**ENTER**” button again use the “**UP**” and “**DOWN**” buttons to select *o n*. Press the “**ENTER**” button to confirm the setting.

Now follow the instructions above to link the fixtures (Master/slave operation). The fixtures will now run in sync wirelessly.

IR remote setting:

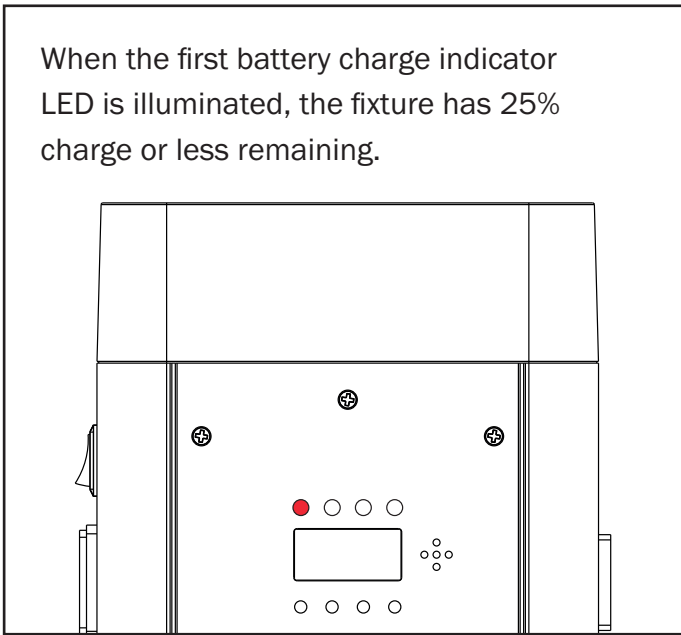
To access the IR remote setting, press the “**MENU**” button and use the “**UP**” and “**DOWN**” buttons to show *I R F r* on the LED display. Now press the “**ENTER**” button and use the “**UP**” and “**DOWN**” buttons to choose between *o n* or *o F F*. Press the “**ENTER**” button to confirm the setting.

To exit out of any of the above options, press the “**MENU**” button.

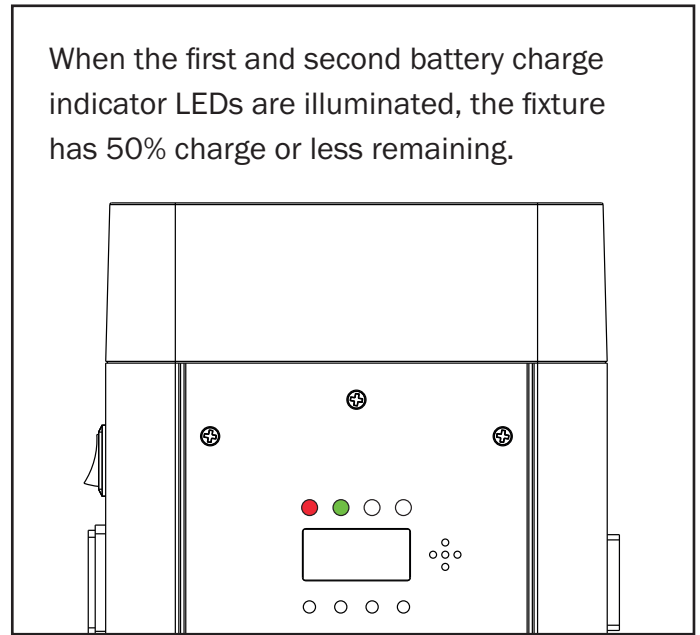
Please note: Wireless DMX must be switched to OFF for the IR function to work.

Battery reference information:

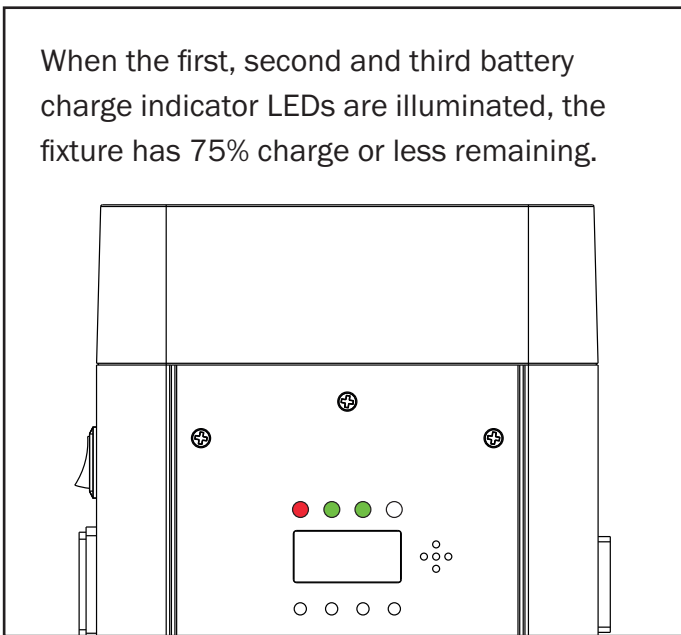
When the first battery charge indicator LED is illuminated, the fixture has 25% charge or less remaining.



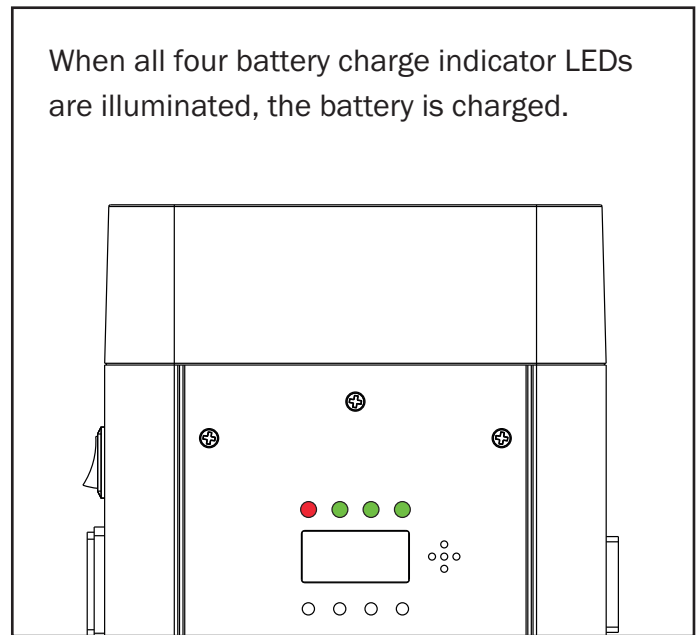
When the first and second battery charge indicator LEDs are illuminated, the fixture has 50% charge or less remaining.



When the first, second and third battery charge indicator LEDs are illuminated, the fixture has 75% charge or less remaining.



When all four battery charge indicator LEDs are illuminated, the battery is charged.

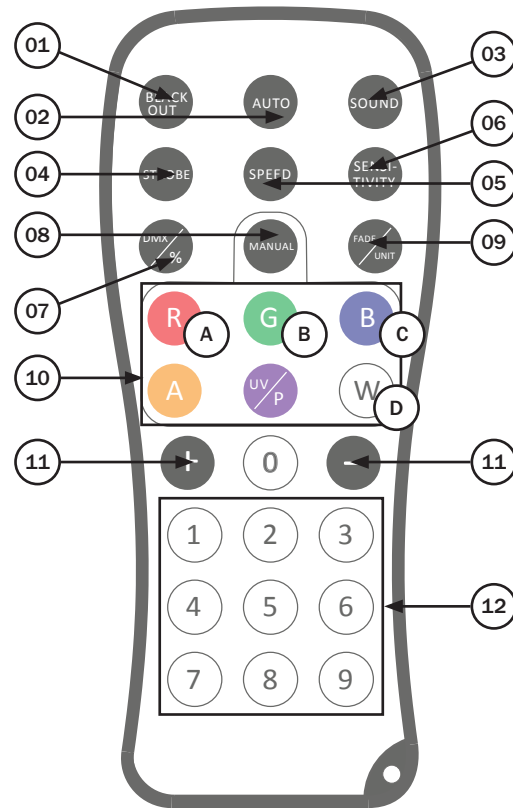


The recharging time for the battery is 5 hours when the unit is powered off and 9 hours when the unit is powered on.

The battery usage time from fully charged is dependant on the mode and brightness of the fixture. For more information please see the features on page 3.

IR remote functions:

- 01 - Sets the unit into blackout off/on (LED on/off)
- 02 - Activates the auto modes, use the '+' and '-' buttons to select the auto mode. Pressing the 'Speed' button followed by the '+' and '-' buttons will then allow the auto mode speed to be adjusted
- 03 - Activates the sound modes, use the '+' and '-' buttons to select the sound mode. Pressing the 'Sensitivity' button followed by the '+' and '-' buttons will then allow the sound sensitivity to be adjusted
- 04 - Activates the strobe, use the '+' and '-' buttons to adjust the strobe speed
- 05 - Sets the auto mode speed. Press this button followed by the '+' and '-' buttons to adjust the program speed
- 06 - Sets the sound mode sensitivity. Press this button followed by the '+' and '-' buttons to adjust the sound sensitivity
- 07 - Activates the DMX mode
Please note: the DMX address and channel must be preset in the menu
- 08 - Activates the static colour/manual modes, use the '+' and '-' buttons to select a colour from the pre-programmed static colours or use the 'R', 'G', 'B' or 'W' buttons to create a manual colour. Pressing the 'Fade/unit' button allows the chosen colour to enter the fade program
- 09 - Activates the fade mode
- 10 - Manual colour selection
A - Red B - Green C - Blue D - White
- 11 - Adjusts the auto mode, sound mode, speed, sound sensitivity, strobe speed and static colour/manual colour modes
- 12 - Sets the brightness of auto, sound, static colour and manual modes (1 - low brightness, 9 - high brightness)



Setting the DMX address:

The DMX mode enables the use of a universal DMX controller. Each fixture requires a “start address” from 1- 512. A fixture requiring one or more channels for control begins to read the data on the channel indicated by the start address. For example, a fixture that occupies or uses 7 channels of DMX and was addressed to start on DMX channel 100, would read data from channels: 100, 101, 102, 103, 104, 105 and 106. Choose a start address so that the channels used do not overlap. E.g. the next unit in the chain starts at 107.

DMX 512:

DMX (Digital Multiplex) is a universal protocol used as a form of communication between intelligent fixtures and controllers. A DMX controller sends DMX data instructions from the controller to the fixture. DMX data is sent as serial data that travels from fixture to fixture via the DATA “IN” and DATA “OUT” XLR terminals located on all DMX fixtures (most controllers only have a data “out” terminal).

DMX linking:

DMX is a language allowing all makes and models of different manufactures to be linked together and operate from a single controller, as long as all fixtures and the controller are DMX compliant. To ensure proper DMX data transmission, when using several DMX fixtures try to use the shortest cable path possible. The order in which fixtures are connected in a DMX line does not influence the DMX addressing. For example; a fixture assigned to a DMX address of 1 may be placed anywhere in a DMX line, at the beginning, at the end, or anywhere in the middle. When a fixture is assigned a DMX address of 1, the DMX controller knows to send DATA assigned to address 1 to that unit, no matter where it is located in the DMX chain.

DATA cable (DMX cable) requirements (for DMX operation):

This fixture can be controlled via DMX-512 protocol. The DMX address is set on the back of the unit. Your unit requires either a standard 3-pin or 5-pin XLR connector for data input/output, see images below.



Further DMX cables can be purchased from all good sound and lighting suppliers or Prolight Concepts dealers.

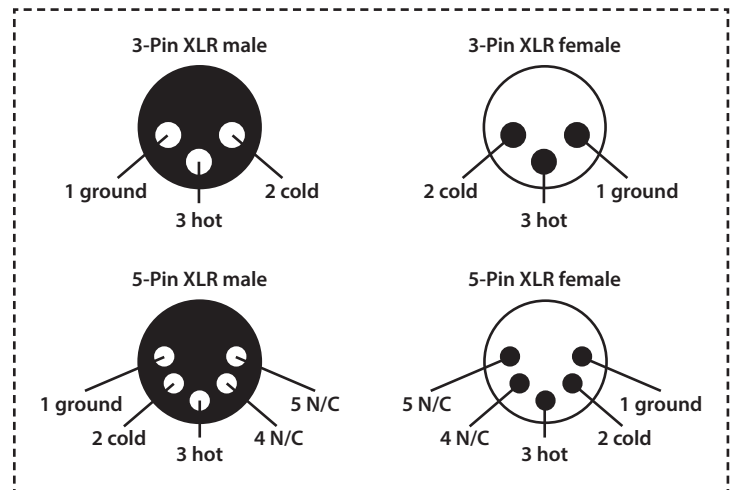
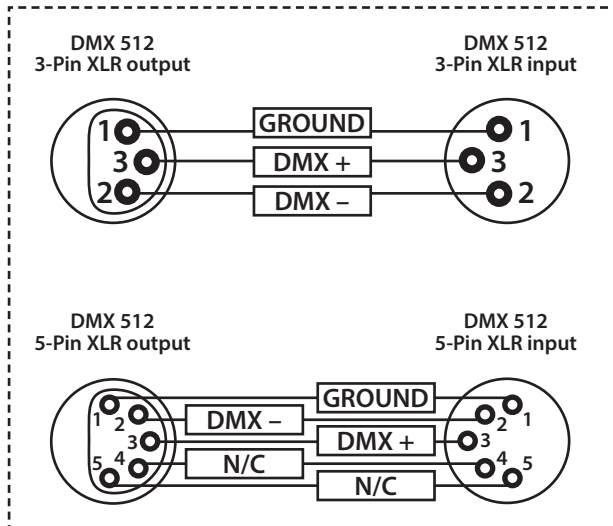
Please quote:	3-Pin:	CABL10 - 2m	CABL11 - 5m	CABL12 - 10m
	5-Pin:	CABL185 - 2m	CABL187 - 5m	CABL188 - 10m

Also remember that DMX cable must be daisy chained and cannot be split.

Notice:

Be sure to follow the diagrams below when making your own cables. Do not connect the cables shield conductor to the ground lug or allow the shield conductor to come in contact with the XLRs outer casing. Grounding the shield could cause a short circuit and erratic behaviour.

Pin Configuration	
3-Pin	5-Pin
	Pin 1 - Ground
	Pin 2 - Negative
	Pin 3 - Positive
-	Pin 4 - N/C
-	Pin 5 - N/C

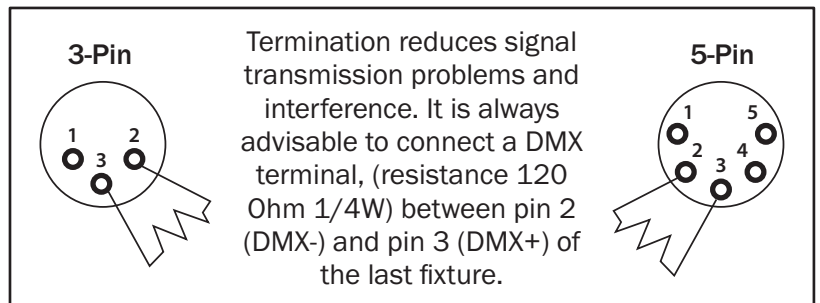


Line termination:

When longer runs of cable are used, you may need to use a terminator on the last unit to avoid erratic behaviour.

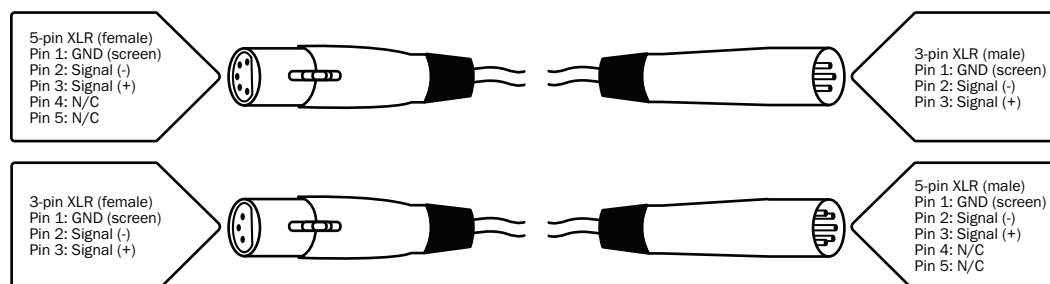
Using a cable terminator will decrease the possibilities of erratic behaviour.

(3-pin - Order ref: CABL90,
5-pin - Order ref: CABL89)



5-pin XLR DMX connectors:

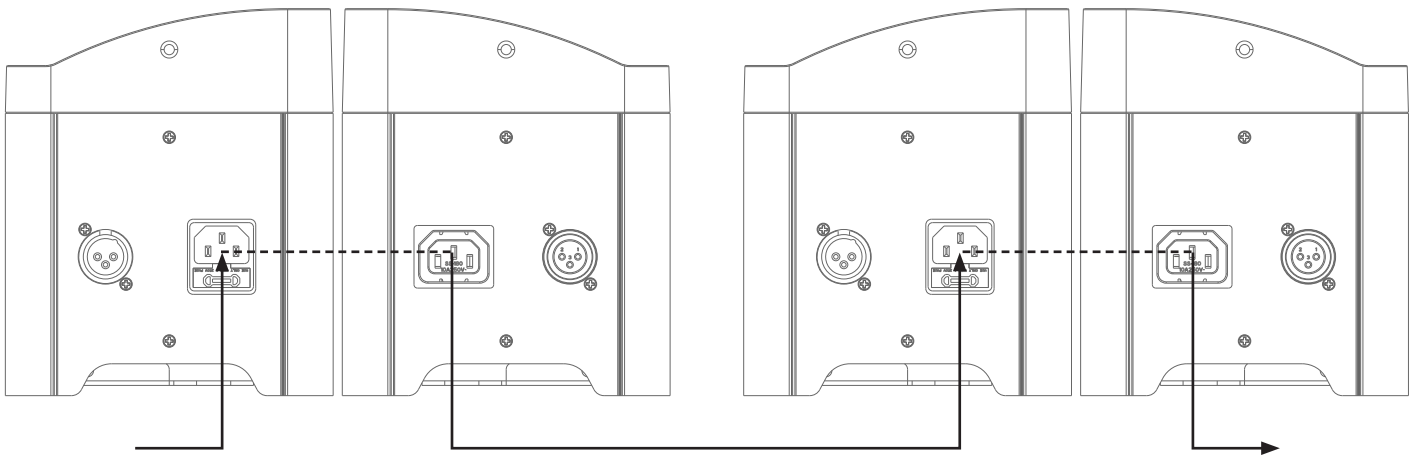
Some manufactures use 5-pin XLR connectors for data transmission in place of 3-pin. 5-pin XLR fixtures may be implemented in a 3-pin XLR DMX line. When inserting standard 5-pin XLR connectors in to a 3-pin line a cable adaptor must be used. The diagram below details the correct cable conversion.



Power linking:

This fixture provides power linking via the power output on the rear allowing multiple units to be connected together. The maximum number of fixtures that can be connected is 12 fixtures (3 packs) @ 240V or 4 fixtures (1 pack) @ 120V (including the first fixture). After the maximum number of fixtures are connected a new power run will need to be started.

Please note: Caution should be used when power linking other fixtures to the Colour Raider Lithium Battery Uplighters as the power consumption of other fixtures will vary. Fixtures fitted with lamps often require 2/3 times more current on startup, these may require their own power source.





Correct Disposal of this Product (Waste Electrical & Electronic Equipment)

**(Applicable in the European Union and other European countries
with separate collection systems)**

This marking shown on the product or its literature, indicates that it should not be disposed of with other household wastes at the end of its working life. To prevent possible harm to the environment or human health from uncontrolled waste disposal, please separate this from other types of wastes and recycle it responsibly to promote the sustainable reuse of material resources.

Household users should contact either the retailer where they purchased this product, or their local government office, for details of where and how they can take this item for environmentally safe recycling.

Business users should contact their supplier and check the terms and conditions of the purchase contract. This product should not be mixed with other commercial wastes for disposal.

