

# LEDj

## **Rapid QB1 RGBA IP Battery Uplighter User Manual**



**Order codes:**

**LEDJ353 - Black Housing**

**LEDJ353A - White Housing**

**WARNING****FOR YOUR OWN SAFETY, PLEASE READ THIS USER MANUAL CAREFULLY BEFORE YOUR INITIAL START-UP!**

- Before your initial start-up, please make sure that there is no damage caused during transportation.
- Should there be any damage, consult your dealer and do not use the equipment.
- To maintain the equipment in good working condition and to ensure safe operation, it is necessary for the user to follow the safety instructions and warning notes written in this manual.
- Please note that damages caused by user modifications to this equipment are not subject to warranty.

**IMPORTANT:**

**The manufacturer will not accept liability for any resulting damages caused by the non-observance of this manual or any unauthorised modification to the equipment.**

- Never let the power cable come into contact with other cables. Handle the power cable and all mains voltage connections with particular caution!
- Never remove warning or informative labels from the unit.
- Do not open the equipment and do not modify the unit.
- Do not connect this equipment to a dimmer pack.
- Do not switch the equipment on and off in short intervals, as this will reduce the system's life.
- Do not expose to flammable sources, liquids or gases.
- Always disconnect the power from the mains when equipment is not in use or before cleaning! Only handle the power-cable by the plug. Never pull out the plug by pulling the power-cable.
- Make sure that the available mains supply voltage is between 100~240V AC, 50/60Hz.
- Please note: Battery fuse must be fitted before use.
- Make sure that the power cable is never crimped or damaged. Check the equipment and the power cable periodically.
- If the equipment is dropped or damaged, disconnect the mains power supply immediately and have a qualified engineer inspect the equipment before operating again.
- If your product fails to function correctly, stop use immediately. Pack the unit securely (preferably in the original packing material), and return it to your Prolight dealer for service.
- Only use fuses of same type and rating.
- Repairs, servicing and power connection must only be carried out by a qualified technician. **THIS UNIT CONTAINS NO USER SERVICEABLE PARTS.**
- This lighting fixture is for professional use only - it is not designed for or suitable for household use. The product must be installed by a qualified technician in accordance with local territory regulations. The safety of the installation is the responsibility of the installer. The fixture presents risks of severe injury or death due to fire hazards, electric shock and falls.
- Warning! Risk Group 2 LED product according to EN 62471. Do not view the light output with optical instruments or any device that may concentrate the beam.
- **WARRANTY:** One year from date of purchase.
- Please note: Batteries are classed as consumable items which are covered for 90 days from date of purchase.

**OPERATING DETERMINATIONS**

If this equipment is operated in any other way, than those described in this manual, the product may suffer damage and the warranty becomes void. Incorrect operation may lead to danger e.g: short-circuit, burns and electric shocks etc.

Do not endanger your own safety and the safety of others!

Incorrect installation or use can cause serious damage to people and/or property.

**Please note:** These fixtures are intended for stage lighting and entertainment applications only, and are not intended for extended periods of use, including but not limited to house-light, industrial or architectural applications and should only be operated with short duty cycles.

### PLEASE READ THE BELOW CAREFULLY BEFORE USING THE FIXTURE IN OUTDOOR/EXTREME ENVIRONMENTS



#### IP Rating:

The IP (International Protection) rating classifies and rates the degree of protection provided against intrusion of foreign objects such as dust and water into housings and electrical enclosures.

The rating consists of the letters IP followed by two digits (i.e. IP54) where the numbers define the level of protection. The first digit (solids) stands for the level of protection the enclosure provides against solid bodies, whilst the second digit (liquids) stands for the degree of protection of the equipment inside the enclosure against water.

An IP54 rated fixture is one which has been designed and tested to protect from limited dust ingress (5) and water spray from any direction (4).



#### Marine/Coastal Installations:

Although this fixture has an IP rating it is NOT suitable for installation in a coastal/marine environment. Installing this fixture in a coastal/marine environment could cause corrosion and excessive wear to the internal and/or external components. Any damages, faults or performance issues resulting from the installation in one of the environments listed above will void the manufacturers warranty and will NOT be subject to any warranty claims, parts or repairs.



#### IMPORTANT INFORMATION!

If this fixture is installed in extreme outdoor and/or wet conditions, it **MUST** be powered ON and operated for a minimum of 30 minutes every 1-2 weeks. Excessive usage in extreme outdoor and/or wet conditions without a consistent usage cycle as described above can lead to component damage and/or a reduced fixture lifetime. Any damage to the fixture found to be a direct result of not following the above guidelines will void the manufacturers warranty and will NOT be subject to any warranty claims, parts or repairs.

Please **ENSURE** all connections are sealed with the rubber caps if provided and the correct cables are used and connected correctly to prevent dust and/or water ingress, condensation and/or corrosion.

### Rapid QB1 RGBA IP

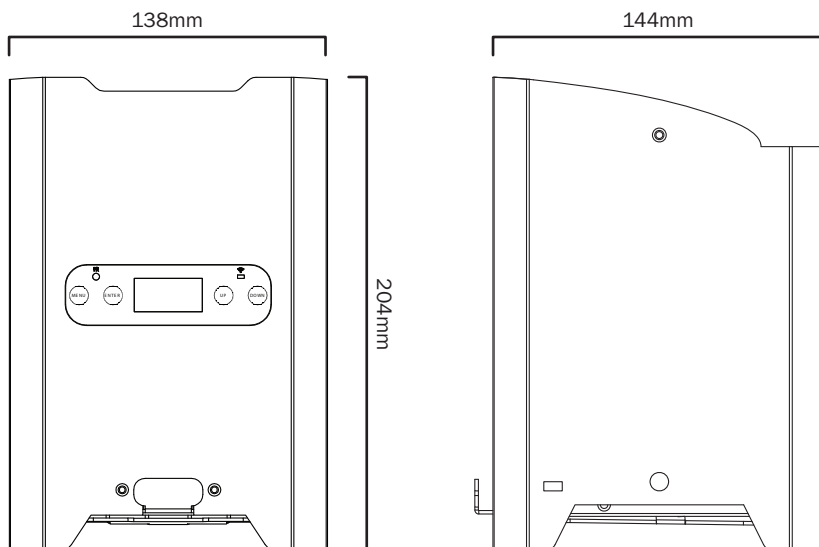
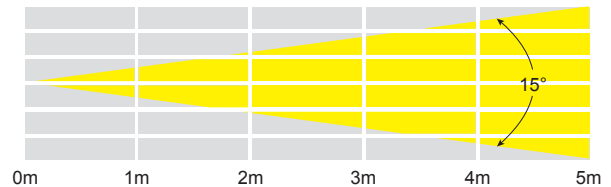
Rapid QB1 RGBA IP is a portable battery powered uplighter outputting ultra-smooth colours from rich saturated hues to subtle pastel shades. The temporary outdoor rated compact and robust housing repels water, snow and dirt for all-weather applications and is easily concealable. The internal lithium battery has autonomy of up to 18 hours in single colour mode and up to 8 hours of colour fading and chases, while the charging time is only 5 hours. The fixture is IP54 rated (IP65 from the top), has a powerCON TRUE1 input and features an extractable foot that allows users to adjust the tilt angle. The on-board wireless transceiver and W-DMX compatibility make for a truly cable free operation.



- 4 x 8W quad-colour LEDs (RGBA)
- Beam angle: 15° (field angle: 29°)
- 1,551 Lux @ 2m (full on)
- 1.2kHz refresh rate
- DMX channels: 4/6 or 10 selectable
- Wireless control (W-DMX Sweden compatible transceiver)
- Static colour, colour change, colour fade, auto and master/slave modes
- 0-100% dimming and variable strobe
- M10 rigging point for clamp
- Adjustable foot for angled floor standing applications (up to 25°)
- Safety bond/security chain point
- 4 button menu with OLED display
- Rechargeable battery for wireless applications
- Maximum run time: up to 18 hours (single colour), 8 hours (colour change/fade), 4 hours (full on)\*
- Charging time: 5 hours (when unit powered off), 9 hours (when the unit is powered on)
- PowerCON TRUE1 input
- Supplied with IR remote

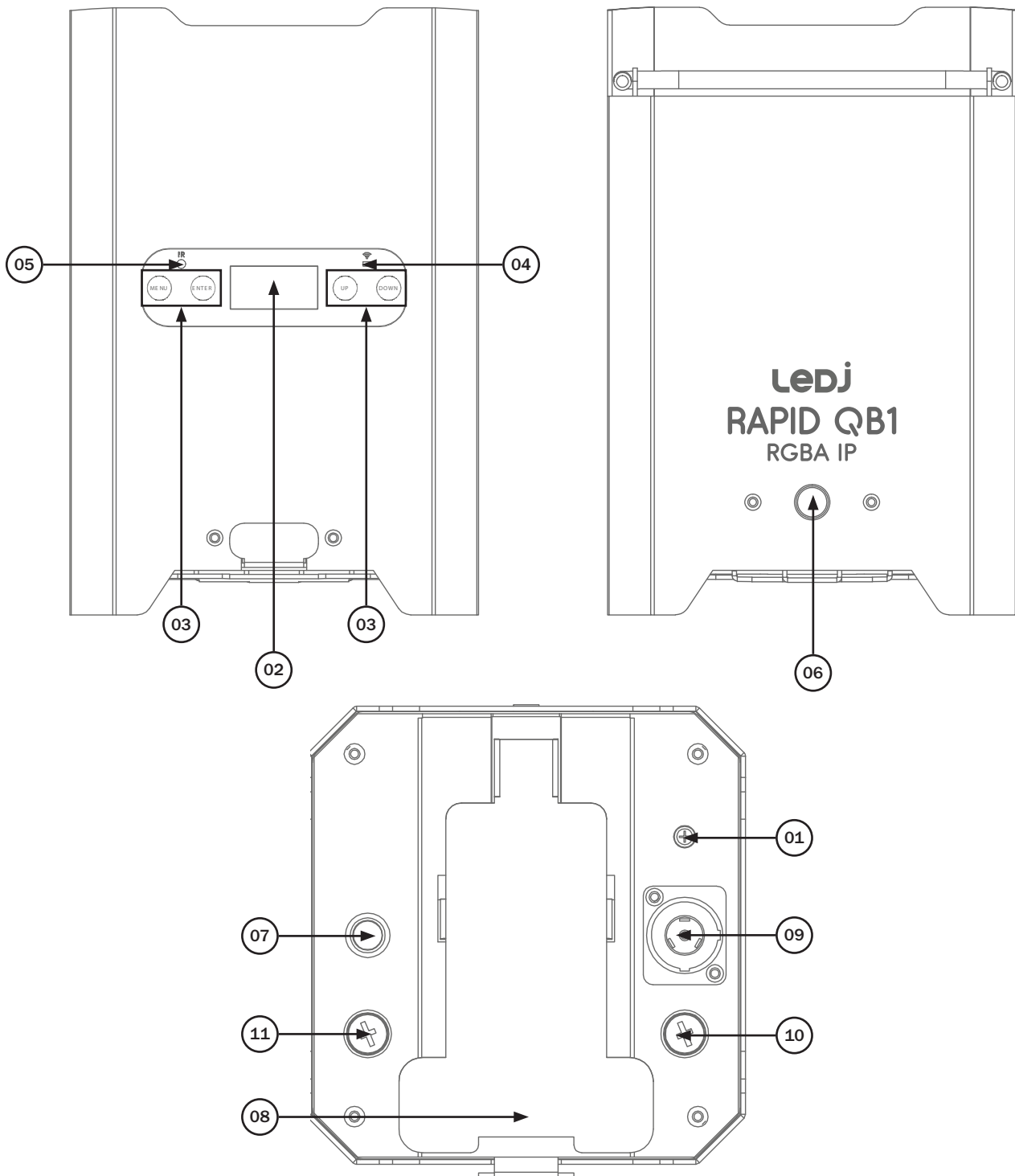


15° - Lux					
FULL ON	6200	1551	689	388	248
R	1820	454	202	114	72.6
G	3080	770	342	193	123
B	616	154	68.4	38.5	24.6
A	1660	414	184	103	66.2



Specifications	Rapid QB1 RGBA IP
Power consumption	45W
Power supply	100~240V, 50/60Hz
Fuse	F3.15A 250V
Battery	14.8V 5200mAh
Battery fuse	F5A 250V
Dimensions	204 x 138 x 144mm
Weight	3kg
Order codes	LEDJ353 - Black Housing LEDJ353A - White Housing

\*battery life subject to usage and the temperature where the fixture is situated.  
Please note: Battery fuse must be fitted before use.



01 - Earth point

02 - OLED display

03 - Function buttons

04 - Wireless DMX indicator

05 - IR receiver

06 - M10 rigging point

07 - On/off switch

08 - Adjustable foot

09 - PowerCON TRUE 1 input

10 - Fuse F3.15A 250V

11 - Battery fuse F5A 250V

In the box: **1 x fixture,**  
**1 x IR remote, 1 x fuse,**  
**1 x power cable**  
**& 1 x user manual**

Main Menu	Sub Menu	Options/Values	Description
Address	001-512		DMX Address Setting
Channel	4 CH (4 channel mode)		DMX Channel Setting
	6 CH (6 channel mode)		
	10 CH (10 channel mode)		
DMX Fail	Hold		Dimming Curve Setting
	Blackout		
	Auto		
Frequency	600Hz		LED Refresh Rate
	1200Hz		
	2000Hz		
	4000Hz		
	25kHz		
Colour Mix	Red	000-255	Colour Mix Mode
	Green	000-255	
	Blue	000-255	
	Amber	000-255	
Program	Static	Colour: 1-25 Strobe: 0-10	Static Colour Mode
	Fade	Fade: 1-5 Speed: 1-9	Fade Mode
	Auto	Speed: 1-9	Auto Mode
Wireless DMX	On Off Clear	Receive	Wireless DMX Setting
	On Off Pair ClearAll	Transmit	
Information	Version	V3.00	Software Version
	Current Time	__H__M__S	Current Run Time
	Total Time	___H__M	Total Run Time
	Temperature	__C	Fixture Temperature
Eco Mode	On		Eco Mode Setting
	Off		
IR	On		IR Control Setting
	Off		
Menu Lock	On		Menu Lock Setting
	Off		
Factory Reset	Yes		Reset Factory Settings
	No		



### DMX mode:

Operating in a DMX control mode environment gives the user the greatest flexibility when it comes to customising or creating a show. In this mode you will be able to control each individual trait of the fixture and each fixture independently.

To access the DMX address mode, press the “**MENU**” button to show “**Address**” on the OLED display. Now use the “**UP**” and “**DOWN**” buttons to set the required DMX address.

Press the “**ENTER**” button to confirm the setting.

To exit out of any of the above options, press the “**MENU**” button.

### DMX channel mode:

To access the DMX channel mode, press the “**MENU**” button to show “**Channel**” on the OLED display. Now use the “**UP**” and “**DOWN**” buttons to choose one of the 4/6 or 10 DMX channel modes.

Press the “**ENTER**” button to confirm the setting.

To exit out of any of the above options, press the “**MENU**” button.

### 4 channel mode:

Channel	Value	Function
1	000-255	Red dimmer (0-100%)
2	000-255	Green dimmer (0-100%)
3	000-255	Blue dimmer (0-100%)
4	000-255	Amber dimmer (0-100%)

### 6 channel mode:

Channel	Value	Function
1	000-255	Red dimmer (0-100%)
2	000-255	Green dimmer (0-100%)
3	000-255	Blue dimmer (0-100%)
4	000-255	Amber dimmer (0-100%)
5	000-255	Master dimmer (0-100%)
6	000-010	No function
	011-255	Strobe (slow-fast)

### 10 channel mode:

Channel	Value	Function
1	000-255	Red dimmer (0-100%)
2	000-255	Green dimmer (0-100%)
3	000-255	Blue dimmer (0-100%)
4	000-255	Amber dimmer (0-100%)
5	000-255	Master dimmer (0-100%)
6	000-010	No function
	011-255	Strobe (slow-fast)
7	000-010	No function
	011-200	Colour macros
	201-255	White macros
8	000-005	No function
	006-255	White colour temperature macros
9	000-010	No function
	011-040	3 colour fade (RGB)
	041-070	3 colour fade (CMY)
	071-100	4 colour fade (RGBA)
	101-130	7 colour fade (RGBACMY)
	131-160	3 colour change (RGB)
	161-190	3 colour change (CMY)
	191-220	4 colour change (RGBA)
221-255	7 colour change (RGBACMY)	
10	000-255	Program speed (slow-fast)

**Wireless DMX operation:**

To operate the fixture in wireless DMX you will need to connect the fixture to a W-DMX compatible wireless DMX Transmitter. Firstly clear the fixtures wireless DMX memory by following the instructions below. To pair the fixture and transmitter make sure the wireless DMX indicator is off.

To turn wireless DMX on, press the “**MENU**” button to show “**Wireless DMX**” on the OLED display. Now use the “**UP**” and “**DOWN**” buttons to select “**On**”.

To put the unit into Wireless DMX receive mode, press the “**ENTER**” button again and use the “**UP**” and “**DOWN**” buttons to select “**Receive**”. Press the “**ENTER**” button to confirm the setting.

Press the pair button on the WDMX G3/G4/G4S compatible transmitter. The wireless DMX indicator will start flashing fast. Once the pair is successful the indicator will turn solid yellow.

To turn wireless DMX off, press the “**MENU**” button to show “**Wireless DMX**” on the OLED display. Now use the “**UP**” and “**DOWN**” buttons to select “**Off**”. Press the “**ENTER**” button to confirm the setting.

To exit out of any of the above options, press the “**MENU**” button.

To link multiple Rapid QB1 via wireless master/slave see [Wireless master/slave operation](#).

**Clear wireless DMX memory:**

To clear the wireless DMX memory, press the “**MENU**” button to show “**Wireless DMX**” on the OLED display. Now use the “**UP**” and “**DOWN**” buttons to select “**ClearAll**” (Transmit mode) or “**Clear**” (Receive mode). Press the “**ENTER**” button to erase the wireless DMX memory.

The Wireless DMX indicator will go off. To exit out of any of the above options, press the “**MENU**” button.

Please note: When the fixture is in Wireless DMX transmit mode the wireless DMX memory of the Transmitter unit and all receiving units will be cleared (ClearAll). When in Wireless DMX receive mode the wireless DMX memory of that one receiving unit will be cleared (Clear).

**Wireless DMX indicator information:**

When the Wireless DMX indicator LED is illuminated, the fixture is paired.

When the Wireless DMX indicator LED is flashing fast, the fixtures settings from the last pair are saved but the fixture isn't paired with the transmitter.

When the Wireless DMX indicator LED is flashing slow, the fixtures is paired with the transmitter but isn't receiving signal.

When the Wireless DMX indicator LED is off, the fixtures doesn't have any remembered wireless DMX settings and isn't paired with a transmitter.



### DMX signal fail:

To access the DMX signal fail setting, press the “MENU” button to show “DMX Fail” on the OLED display. Now use the “UP” and “DOWN” buttons to choose between “Hold”, “Blackout” or “Auto”.

Press the “ENTER” button to confirm the setting.

To exit out of any of the above options, press the “MENU” button.

### LED refresh rate setting:

To access the LED refresh rate setting, press the “MENU” button to show “Frequency” on the OLED display. Now use the “UP” and “DOWN” buttons to choose between “600Hz”, “1200Hz”, “2000Hz”, “4000Hz” or “25kHz”. Press the “ENTER” button to confirm the setting.

To exit out of any of the above options, press the “MENU” button.

### Colour mix mode:

To access the colour mix mode, press the “MENU” button to show “Colour Mix” on the OLED display. Now use the “UP” and “DOWN” buttons to choose “Red”. Press the “ENTER” button and use the “UP” and “DOWN” buttons to select the brightness of Red between “000-255”.

**Value: 000 - 255 (000 = low, 255 = high).**

Now press the “ENTER” button and repeat for “Green”, “Blue” and “Amber”.

Press the “ENTER” button to confirm the setting.

To exit out of any of the above options, press the “MENU” button.

### Built-in programs:

To access the built-in programs, press the “MENU” button to show “Program” on the OLED display. Now use the “UP” and “DOWN” buttons to choose between “Static”, “Fade” or “Auto”.

**Static** - Press the “ENTER” button and use the “UP” and “DOWN” buttons to select between “Colour: 1 - Colour: 25”. Press the “ENTER” button and use the “UP” and “DOWN” buttons to select between “Strobe: 0 - Strobe: 10”. Press the “ENTER” button to confirm the setting.

Colour 1 - Red	Colour 6 - Magenta	Colour 11 - Lavender	Colour 15 - Colour 25
Colour 2 - Green	Colour 7 - Yellow	Colour 12 - Yellow/Orange	- White colour
Colour 3 - Blue	Colour 8 - White	Colour 13 - Pink	temperature macros
Colour 4 - Amber	Colour 9 - Orange	Colour 14 - Light Blue	
Colour 5 - Cyan	Colour 10 - Lime Green		

**Fade** - Press the “ENTER” button and use the “UP” and “DOWN” buttons to select between “Fade: 1 - Fade: 5”. Press the “ENTER” button and use the “UP” and “DOWN” buttons to select between “Speed: 1 - Speed: 9”. Press the “ENTER” button to confirm the setting.  
(1 = slow speed, 9 = fast speed).

**Auto** - Press the “ENTER” button and use the “UP” and “DOWN” buttons to select between “Speed: 1 - Speed: 9”. Press the “ENTER” button to confirm the setting.  
(1 = slow speed, 9 = fast speed).

**Master/slave operation:**

To set the master unit, press the “MENU” button to show “Wireless DMX” on the OLED display.

Now press the “ENTER” button and use the “UP” and “DOWN” buttons to select “Transmit”.

Press the “ENTER” button to confirm the setting. Then select your desired program.

To set the other units in slave mode, press the “MENU” button to show “Wireless DMX” on the OLED display. Now press the “ENTER” button and use the “UP” and “DOWN” buttons to select “Receive”.

Press the “ENTER” button to confirm the setting. The unit will now run in sequence with the master unit.

To exit out of any of the above options, press the “MENU” button.

Please ensure that all slave units are set to the same DMX channel mode as the master unit.

**Wireless master/slave operation:**

Firstly clear the fixtures wireless DMX memory by following the instructions [Clear wireless DMX memory](#).

To set the units into master/slave follow the instructions above ([Master/slave operation](#)).

To pair the master unit with the slave(s), press the “MENU” button to show “Wireless DMX” on the OLED display. Now use the “UP” and “DOWN” buttons to select “Pair”. Press the “ENTER” button to pair.

The wireless DMX indicator will start flashing fast. Once the pair is successful the indicator will turn solid yellow.

**Software version:**

To display the software version, press the “MENU” button to show “Information” on the OLED display.

Now use the “UP” and “DOWN” buttons to select “Version”. Press the “ENTER” button and the software version will be displayed. To exit out of any of the above options, press the “MENU” button.

**Current fixture run time:**

To display the current fixture run time, press the “MENU” button to show “Information” on the OLED display. Now use the “UP” and “DOWN” buttons to select “Current Time”.

Press the “ENTER” button and the current fixture run time will be displayed.

To exit out of any of the above options, press the “MENU” button.

**Total fixture run time:**

To display the total fixture run time, press the “MENU” button to show “Information” on the OLED display. Now use the “UP” and “DOWN” buttons to select “Total Time”.

Press the “ENTER” button and the total fixture run time will be displayed.

To exit out of any of the above options, press the “MENU” button.

**Fixture temperature:**

To display the fixture temperature, press the “MENU” button to show “Information” on the OLED display.

Now use the “UP” and “DOWN” buttons to select “Temperature”. Press the “ENTER” button and the software version will be displayed. To exit out of any of the above options, press the “MENU” button.

### Battery reference information:

When the battery charge indicator LED is illuminated red, the fixture is recharging.

When the battery charge indicator LED is illuminated yellow, the fixture has less than 30% charge.

When the battery charge indicator LED is illuminated green, the battery is charged.

The recharging time for the battery is 5 hours when the unit is powered off and 9 hours when the unit is powered on.

The battery usage time from fully charged is dependant on the mode and brightness of the fixture.

For more information please see the features on page 3.

### Remaining battery life:

The batteries remaining charge is displayed at the top right of the OLED screen throughout the menu.

### Eco mode:

To access the eco mode setting, press the “MENU” button to show “Eco Mode” on the OLED display.

Now use the “UP” and “DOWN” buttons to choose between “On” or “Off”.

Press the “ENTER” button to confirm the setting.

To exit out of any of the above options, press the “MENU” button.

Please note: Eco mode allows the fixture to run longer from a single charge when used in a 3 or more colour program with a slight reduction in intensity.

### IR remote:

To access the IR remote setting, press the “MENU” button to show “IR” on the OLED display.

Now use the “UP” and “DOWN” buttons to choose between “On” or “Off”.

Press the “ENTER” button to confirm the setting.

To exit out of any of the above options, press the “MENU” button.

Please note: The fixture must be set to Master for the IR function to work.

### Menu lock:

The OLED display for this fixture has a menu locking function where after 5 seconds of inactivity it will lock. To unlock the menu hold the “MENU” and “DOWN” buttons for 3 seconds.

To access the menu lock setting, press the “MENU” button to show “Menu Lock” on the OLED display.

Now use the “UP” and “DOWN” buttons to choose between “On” or “Off”.

Press the “ENTER” button to confirm the setting.

To exit out of any of the above options, press the “MENU” button.

### Reset factory settings:

To access the factory reset setting, press the “MENU” button to show “Factory Reset” on the OLED display. Now use the “UP” and “DOWN” buttons to choose between “Yes” or “No”.

Press the “ENTER” button to confirm the setting.

To exit out of any of the above options, press the “MENU” button.

### IR remote functions:

01 - Sets the unit into blackout off/on (LED on/off)

02 - Sets the static colour (see chart key for colours)

A - Red	D - Amber	G - Pink
B - Green	E - Orange	
C - Blue	F - Cyan	

03 - Runs the auto mode, use the '▲' and '▼' buttons to adjust the auto speed

04 - Runs the sound program, use the '▲' and '▼' buttons to adjust the sound sensitivity

05 - Runs the strobe program, use the '▲' and '▼' buttons to adjust the strobe speed

06 - Sets the auto/fade speed. Press this button followed by the '▲' and '▼' buttons to adjust the program speed

07 - Sets the unit in either master or slave mode

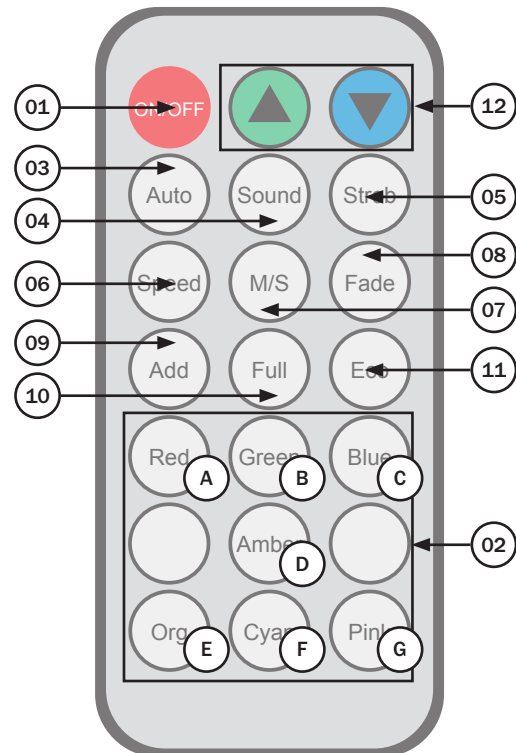
08 - Runs the fade mode, use the 'Speed' button followed by the '▲' and '▼' buttons to adjust the fade speed

09 - Sets the DMX address. Press this button followed by the '▲' and '▼' buttons to adjust the DMX address. Press this button again followed by the '▲' and '▼' buttons to adjust the DMX channel

10 - Sets the unit in full on. Press this button followed by the '▲' and '▼' buttons to adjust brightness (000-255)

11 - Sets the unit in Eco mode. Press this button followed by the '▲' and '▼' buttons to turn eco mode on/off

12 - Adjusts the auto, fade and strobe speed, sound sensitivity, DMX address/channel, full on brightness and turns the eco mode on/off.





***Correct Disposal of this Product  
(Waste Electrical & Electronic Equipment)***

**(Applicable in the European Union and other European countries  
with separate collection systems)**

This marking shown on the product or its literature, indicates that it should not be disposed with other household wastes at the end of its working life. To prevent possible harm to the environment or human health from uncontrolled waste disposal, please separate this from other types of wastes and recycle it responsibly to promote the sustainable reuse of material resources.

Household users should contact either the retailer where they purchased this product, or their local government office, for details of where and how they can take this item for environmentally safe recycling.

Business users should contact their supplier and check the terms and conditions of the purchase contract. This product should not be mixed with other commercial wastes for disposal.









**LEDj**